

B.E.G. The lighting control professionals



Condensed Catalogue





B.E.G. – an innovative company with over 40 years of experience

Energy-efficient products combined with tradition

Founded in 1975, family-owned B.E.G., headquartered in Lindlar, Germany, has stood for quality and innovation for over 40 years. From the very beginning, our team's focus has been on satisfying customers. The B.E.G. product range is divided into six product lines: LUXOMAT®, LUXOMATIC®, LUXOMAT®net, SAFETYLUX®, CHRONOLUX® and B.E.G. SMARTHOMES®. B.E.G. offers customers a wide product range, individual solutions, outstanding quality and personal service.

1975

The foundation stone of our comprehensive range was the development and production of emergency lights. Shortly afterwards came the production of complete systems for emergency lighting installations. While B.E.G. still has emergency lighting in its range today, this of course comes with state of the art technology and energy-saving LEDs.

1986

B.E.G. was one of the first companies in Germany to produce motion detectors and automatic lighting. Since then, B.E.G. has produced many generations of motion detectors, which are installed primarily outside buildings, in particular for security. The rapid growth in building automation and the resultant rise in demand for intelligent control products has led to the continual expansion of the daylight-dependent/occupancy-dependent detection business. The installation of occupancy detectors is being driven not only by convenience, but also now by cost reduction through energy saving, and environmental protection.

2007

On an area of almost 4 ha, the current European distribution and logistics centre with adjoining production and development facilities started operation in Lindlar. 4 years later, the logistics centre was extended by several thousand m² to meet the increasing demand.

2014

The new administration building was built next door to the production and distribution centre. The new building is equipped with modern KNX bus technology and B.E.G.'s own KNX products, which provide for an important cost reduction of the operating costs. These products are also used in a research project of TH Köln (University of Applied Sciences).









2017

The former administration building becomes a research and development centre with a light laboratory. For some time now, B.E.G. has its focus on networked products (e.g. DALI, LON, KNX). Thanks to the new development centre, B.E.G. is able to react to demands on the market within a short time. B.E.G. has an ever increasing number of branches and agencies in many countries of the world. Each branch or agency employs well-trained personnel offering the best support possible in all issues with respect to building automation.

Index

LUXOMAT®	
Motion detectors for outdoor use.....	3
Motion detectors for indoor use.....	6
Occupancy detectors for indoor use.....	11
LUXOMAT® net	
Occupancy detectors DALI.....	20
Occupancy detectors KNX.....	27
LUXOMAT®	
Photo electric switches.....	31
LUXOMATIC®	
Lighting.....	36

Legend

	Range in m (approx.)
	Power consumption
	Energy efficiency class
	Radar / HF technology
	Remote controllable
	Degree of protection
	Acoustic sensor
	Switching power

Mounting versions

SM	Surface mounting
FC	False ceiling mounting
FM	Flush mounting

Motion detectors for outdoor use – LUXOMAT®

Motion detectors with modern sensor technology

LUXOMAT® RC-plus next N and LC-plus 280 B.E.G. exterior motion detectors offer security and convenience in the areas that they cover. They can quickly and easily be adjusted to requirements on the spot: adjustment controls for mechanical range and potentiometers for switch-on threshold and follow-up time are located underneath the sensor head.

Blinds can be used to restrict the detection area so that only the desired area is covered. For example, they can be used to filter out a side road leading past the area.

If requirements should change, settings can be altered according to demand. For more convenience compared to a potentiometer, changes of settings and activation of additional functions can be made by the optional LUXOMAT® IR-RC or IR-LC-plus remote controllers. Changes can therefore be made without the inconvenience of climbing a ladder. Adjustments to changes in requirements can be accomplished with a few button presses.



Motion detectors for outdoor use

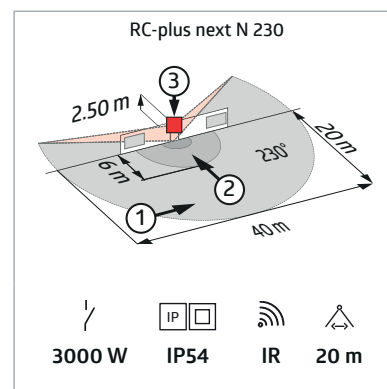
LUXOMAT® RC-plus next N



Corner socket



- Motion detector with 130°, 230°, 280° detection area and anti-creep zone
- Mechanical range adjustment
- Different follow-up time depending on direction of movement
- Adjustable ball head
- Easy mounting thanks to plug-in base
- Wall, ceiling and corner mounting
- Immediate operation using factory settings
- Additional functions can be set up using the optional remote control.
- Factory settings 3 min and 20 lux
- Range: max. 20 m across, max. 6 m towards, max. 4 m anti-creep

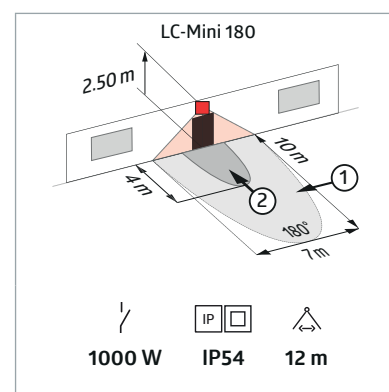


Type	Colour	Part number
RC-plus next N 130	white	93321
RC-plus next N 130	brown	93324
RC-plus next N 130	black	93323
RC-plus next N 230	white	93331
RC-plus next N 230	brown	93334
RC-plus next N 230	black	93333
RC-plus next N 230	silver	93346
RC-plus next N 280 (incl. corner socket)	white	93341
RC-plus next N 280 (incl. corner socket)	brown	93344
RC-plus next N 280 (incl. corner socket)	black	93343
Accessory		
IR-RC	-	92000
IR-RC-Mini	-	92090
IR-Adapter for Smartphones (Android/iOS)	black	92726
Corner socket RC-plus next	white	97004
Corner socket RC-plus next	brown	97014
Corner socket RC-plus next	black	97024
Corner socket RC-plus next	silver	97043
Inside corner socket RC-plus next	white	97005

LUXOMAT® LC-Mini 120 and LC-Mini 180



- Mini motion detector for exterior use with 120° or 180° detection area
- Adjustable ball head
- Detection area can be restricted with blinds
- Range: max. 10 m across, max. 7 m towards



Type	Colour	Part number
LC-Mini 120	white	91051
LC-Mini 120	black	91071
LC-Mini 180	white	91052
LC-Mini 180	black	91072

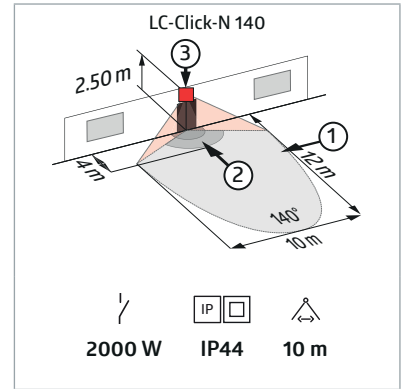


Motion detectors for outdoor use

LUXOMAT® LC-Click-N 140 and LC-Click-N 200



- Motion detector with 140° or 200° detection area and 180° anti-creep zone
- Can be mounted on standard flush-mount boxes
- Adjustable ball head
- Detection area can be restricted with blinds
- Simple mounting thanks to plug base
- Range: max. 12 m across, max. 4 m towards, max. 2 m anti-creep

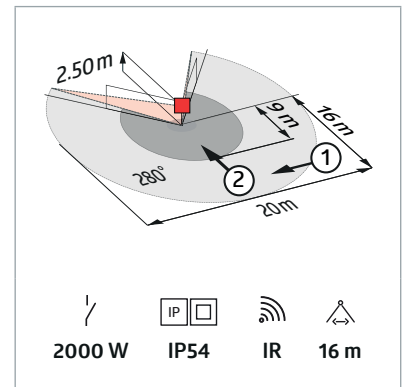


Type	Colour	Part number
LC-Click-N 140	white	93041
LC-Click-N 140	brown	93051
LC-Click-N 140	black	93061
LC-Click-N 200	white	93042
LC-Click-N 200	brown	93052
LC-Click-N 200	black	93062

LUXOMAT® LC-plus 280



- Motion detector with downward detection for gapless monitoring
- Adjustable ball head
- Additional functions can be set up using the optional remote control.
- Easy mounting thanks to plug based
- Detection area can be restricted with blinds
- Special socket for external corner mounting included
- Factory settings 3 min and 20 lux
- Range: max. 16 m across, max. 9 m towards



Type	Colour	Part number
LC-plus 280	white	91008
LC-plus 280	brown	91018
LC-plus 280	black	91028
LC-plus 280	silver	91048
Accessory		
IR-LC-plus	-	92095
IR-LC-Mini	-	92093
IR-Adapter for Smartphones (Android/iOS)	black	92726

Ceiling-mounted motion detectors for indoor use – LUXOMAT®

Intelligent control – Light through motion

These detectors are designed to detect moving sources of heat in their detection area reliably. Upon detected movement, they switch the light automatically according to the ambient light. When no more movement is detected, the detector switches the light off after pre-set follow-up time has expired.

This is achieved by means of passive infrared technology (PIR): the detection area of the motion detector is divided into many smaller subsections. Within these subsections, the detector measures any heat radiation resulting, for example, from a creature. If there are temperature differences in several subsections caused by movement, these are detected by a sensor integrated in the detector.

The sensor itself does not emit any radiation and is therefore called “passive”. The light is only switched on when needed, and so contributes to reduced power consumption.



Ceiling-mounted motion detectors

LUXOMAT® PD3N-1C



FC



SM



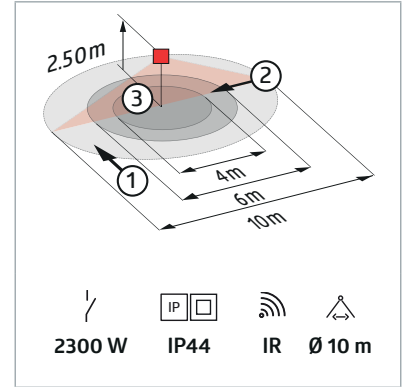
FC



SM



- Remote control-capable ceiling motion detector
- One channel for light switching
- Special optical system for detection of even the smallest movements
- Additional functions can be set up using the optional remote control.
- Range: max. Ø 10 m across, max. Ø 6 m towards, max. Ø 4 m smaller movements / seated



Type	Colour	B.E.G. Part number
PD3N-1C-SM (IP44)	white	92190
PD3N-1C-FC (IP23)	white	92196
PD3N-1C-SM Micro (IP44)	white	92219
PD3N-1C-FC Micro (IP23)	white	92184
PD3N-1C-NO-PF-FC (IP23)	white	92576
Accessory (optional)		
IR-Adapter for Smartphones	black	92726
IR-PD3/4N-1C-E	-	93110
IR-PD-Mini	-	92159

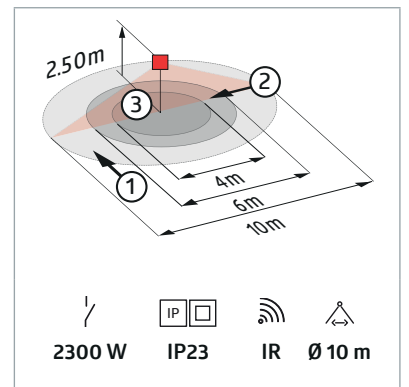
LUXOMAT® PD3N-2C



FC



- Remote control-capable ceiling motion detector
- One channel for light switching
- One additional potential-free (dry) contact for HVAC
- Additional functions can be set up using the optional remote control.
- Range: max. Ø 10 m across, max. Ø 6 m towards, max. Ø 4 m smaller movements / seated



Type	Colour	B.E.G. Part number
PD3N-2C-FC (IP23)	white	92198
Accessory (optional)		
IR-Adapter for Smartphones	black	92726
IR-PD3N-2C	-	92115
IR-PD-Mini	-	92159

Ceiling-mounted motion detectors

LUXOMAT® PD4N-1C



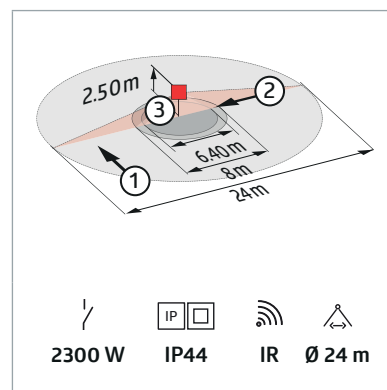
FC



SM



- Remote-control capable ceiling motion detector with large detection range
- One channel for light switching
- Special optical system for detection of even the smallest movements
- Additional functions can be set up using the optional remote control.
- Range: max. Ø 24 m across, max. Ø 8 m towards, max. Ø 6.4 m smaller movements / seated



Type	Colour	B.E.G. Part number
PD4N-1C-SM (IP44)	white	92144
PD4N-1C-FC (IP23)	white	92149
Accessory (optional)		
IR-Adapter for Smartphones	black	92726
IR-PD3/4N-1C-E	-	93110
IR-PD-Mini	-	92159

LUXOMAT® PD4N-1C-C



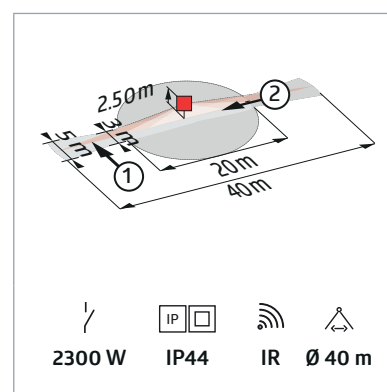
FC



SM



- Ceiling motion detector designed for corridors
- One channel for light switching
- Special optical system for detection of even the smallest movements
- Additional functions can be set up using the optional remote control.
- For the corridor detector, the corridor window in the lens is critical for alignment
- Range: max. Ø 40 m across, max. Ø 20 m towards



Type	Colour	B.E.G. Part number
PD4N-1C-C-SM (IP44)	white	92270
PD4N-1C-C-FC (IP23)	white	92274
Accessory (optional)		
IR-Adapter for Smartphones	black	92726
IR-PD3/4N-1C-E	-	93110
IR-PD-Mini	-	92159

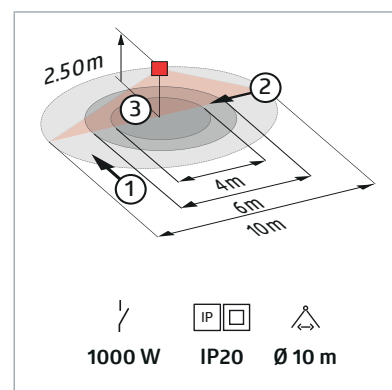
Ceiling-mounted motion detectors

LUXOMAT® PD9-1C



FC

- Mini-motion detector for indoor use
- One channel for light switching
- Easy installation on device
- Power supply passes through the hole in the ceiling for the detector (34 mm Ø)
- Spring clips for quick and easy installation in suspended ceilings and light fittings
- Includes 45mm cover ring and blinds
- Range: max. Ø 10 m across, max. Ø 6 m towards, max. Ø 4 m smaller movements



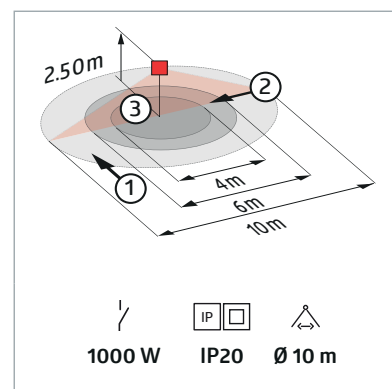
Type	Colour	B.E.G. Part number
PD9-1C-FC	white	92902
Accessory (optional)		
Cover ring PD9 (36 mm)	white, RAL9010	92238
Cover ring PD9 (36 mm)	silver, RAL9006	92237
Cover ring PD9 (36 mm)	anthracite , RAL7021	92235

LUXOMAT® PD9-1C-12-48V



FC

- Mini-motion detector with operating voltage 12-48 V
- One channel for light switching
- Easy installation on device
- Power supply passes through the hole in the ceiling for the detector (34 mm Ø)
- Spring clips for quick and easy installation in suspended ceilings and light fittings
- Includes 45mm cover ring and blinds
- Range: max. Ø 10 m across, max. Ø 6 m towards, max. Ø 4 m smaller movements



Type	Colour	B.E.G. Part number
PD9-1C-12-48 V-FC	white	92985
Accessory (optional)		
Cover ring PD9 (36 mm)	white, RAL9010	92238
Cover ring PD9 (36 mm)	silver, RAL9006	92237
Cover ring PD9 (36 mm)	anthracite , RAL7021	92235

Ceiling-mounted motion detectors

LUXOMAT® HF-MD1 and HF-MD2



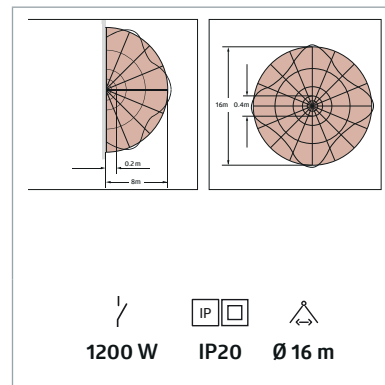
HF-MD1



HF-MD2



- Microwave motion detector, designed for surface mounting and installation in lights
- Temperature-independent detection
- Detection can be made through various materials
- Range, switch-on threshold and follow-up time set via potentiometers
- Range: Ø 0.4 - 16 m



Type	Colour	B.E.G. Part number
HF-MD1	white	94401
HF-MD2	white	94402

Ceiling mounted occupancy detectors for indoor use – LUXOMAT®

Motion detectors – occupancy detectors

Motion detectors used to be installed for exterior home illumination primarily for security.

In recent years, motion detectors have also been used inside buildings for occupancy detection. When used in this application they are known as occupancy detectors saving energy and offering more convenience. Physically motion and occupancy detectors work on the same principle (infrared technology) in that they detect moving heat sources. They differ only in the technical parameters used.

Motion detectors switch the light depending on movements and the ambient light. Occupancy detectors regulate the artificial light in such a way that there is always a constant lux value in the room.

B.E.G. LUXOMAT® detectors have been developed to meet a variety of requirements. The PD2 for standard applications, the PD9 for discreet installation, the PD4 for increased range and many more. B.E.G. provides the best detector for every situation and can provide you with support in choosing the right one.

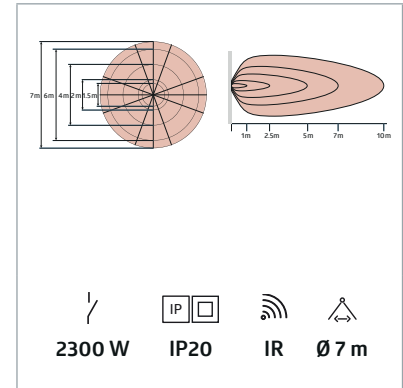


Ceiling-mounted occupancy detectors

LUXOMAT® HF-MD3



- Microwave motion detector for indoor use
- Light sensor integrated into case
- Setup via potentiometer on device
- Extendible by external light sensor with integrated IR receiver for remote capability of the detector
- Temperature-independent detection
- Detection through glass, wood and partition walls
- Range: Ø 0.2 – 7 m

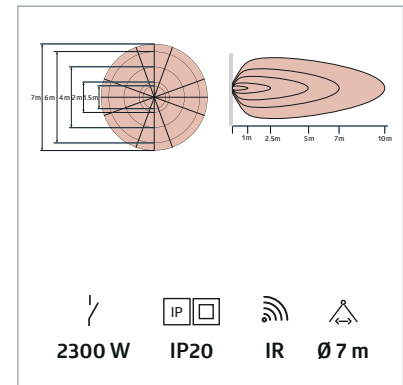


Type	Colour	B.E.G. Part number
HF-MD3	white	94437
Accessory (optional)		
IR-Adapter for Smartphones	black	92726
HF-EM1 external light sensor with IR receiver	white	94459

LUXOMAT® HF-MD4



- Microwave motion detector for indoor use
- Optimal and individual setup via external light sensor and external HF radar sensor
- Convenient programming with B.E.G. Smartphone app
- Temperature-independent detection
- Detection through glass, wood and partition walls
- Range: Ø 0.2 – 7 m



Type	Colour	B.E.G. Part number
HF-MD4	white	94438
Accessory (optional)		
IR-Adapter for Smartphones	black	92726

Ceiling-mounted occupancy detectors

LUXOMAT® PD2-M-1C



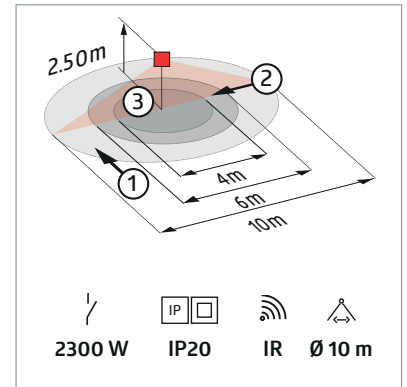
FC



SM



- Occupancy detector with one potential-free dry contact
- Version as Master device
- One channel for light switching
- Extension of the detection area with slave devices possible
- Manual switching via push-button possible
- Additional functions can be set up using the optional remote control.
- Factory settings 10 min and 500 lux
- Range: max. Ø 10 m across, max. Ø 6 m towards, max. Ø 4 m seated



Type	Colour	B.E.G. Part number
PD2-M-1C-SM	white	92550
PD2-M-1C-FC	white	92565
PD2-S-SM (Slave)	white	92152
Accessory (optional)		
IR-Adapter for Smartphones	black	92726
IR-PD-1C-E	-	92077
IR-PD-Mini	-	92159
SM socket IP54 PD2/PD4-SM (restricted)	white	92161

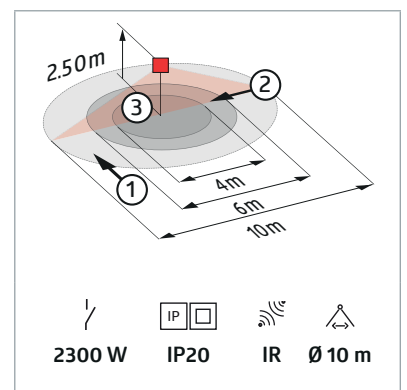
LUXOMAT® PD2N-M-1C-LED



FC



- Bidirectional remote control-capable occupancy detector for inside use with circular detection area
- Integrated LED light as separately adjustable orientation- and night light
- One channel for light switching
- Many adjustment and reading options via the bidirectional B.E.G. Smartphone-App
- Extension of the detection range possible by using up to 5 other PD2N-M-1C-LED
- Can be used as either Master device or Slave device
- Range: max. Ø 10 m across, max. Ø 6 m towards, max. Ø 4 m seated



Type	Colour	B.E.G. Part number
PD2N-M-1C-LED-FC	white	94055
Accessory (optional)		
IR-Adapter for Smartphones	black	92726

Ceiling-mounted occupancy detectors

LUXOMAT® PD4-M-1C



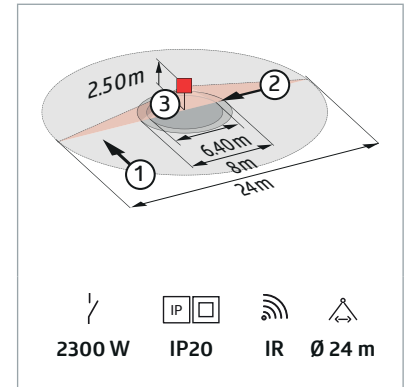
FC



SM



- Occupancy detector with extended detection area
- One potential-free (dry) contact
- Version as Master device
- Extension of the detection area with slave devices possible
- Manual switching via push-button possible
- Additional functions can be set up using the optional remote control.
- Factory settings 10 min and 500 lux
- Range: max. Ø 24 m across, max. Ø 8 m towards, max. Ø 6.4 m seated



Type	Colour	B.E.G. Part number
PD4-M-1C-SM	white	92580
PD4-M-1C-FC	white	92585
PD4-S-SM (Slave)	white	92142
Accessory (optional)		
IR-Adapter for Smartphones	black	92726
IR-PD-1C-E	-	92077
IR-PD-Mini	-	92159
Surface mounting socket (IP65) PD4-SM IP20	white	92375

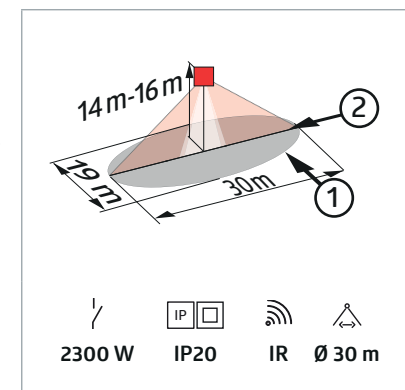
LUXOMAT® PD4-M-1C-GH



SM



- Occupancy detector designed for high-bay warehouses
- One potential-free (dry) switching contact
- Version as Master device
- Extension of the detection area with slave devices possible
- Simple operation with remote control (required)
- Manual switching via push-button possible
- When used in high-bay warehouses, care should be taken that, in the cross-aisles of the warehouse, detectors are installed that can detect movement only in the desired aisle locations, by using blinds or other technical arrangements.
- There are markings for adjusting the detector
- Range: max. 30 m x 19 m



Type	Colour	B.E.G. Part number
PD4-M-1C-GH-SM	white	92245
PD4-S-GH-SM (Slave)	white	92265
Accessory (optional)		
IR-Adapter for Smartphones	black	92726
IR-PD-LD	-	92479
Surface mounting socket (IP65) PD4-SM IP20	white	92375
SM socket IP54 PD2/PD4-SM (restricted)	white	92161

Ceiling-mounted occupancy detectors

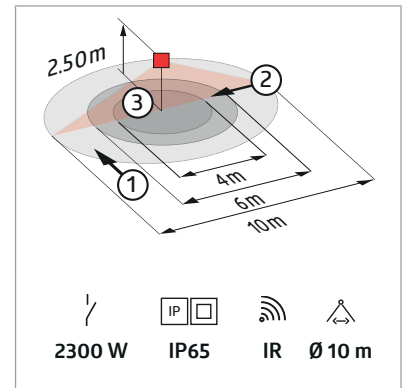
LUXOMAT® PD9-M-1C and -SDB-IP65



FC



- Mini-occupancy detector
- One channel for light switching
- Version as Master device
- Extension of the detection area with slave devices possible
- Simple operation with remote control (required)
- Manual switching via push-button possible
- Spring clips for quick and easy installation in suspended ceilings and light fittings
- Power supply at 92900 and 92912 passes through the hole in the ceiling for the detector (34 mm Ø)
- Includes 45mm cover ring and blinds
- Range: max. Ø 10 m across, max. Ø 6 m towards, max. Ø 4 m seated



Type	Colour	B.E.G. Part number
PD9-M-1C-FC (IP20)	white	92900
PD9-S-FC (Slave) (IP20)	white	92905
PD9-M-1C-SDB-IP65-FC (IP65)	white	92912
Accessory (optional)		
IR-Adapter for Smartphones	black	92726
IR-PD-1C	-	92520
IR-PD9	-	92201
IR-PD-Mini	-	92159

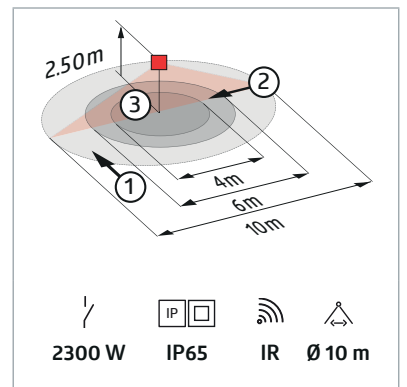
LUXOMAT® PICO-N-M-1C



FC



- Mini-occupancy detector, no additional power unit, suitable for high-humidity locations
- One channel for light switching
- Easy operation with remote control (required)
- Version as Master device
- Extension of the detection area with slave devices possible
- Mounting with clip ring (included) for lights or with spring clips for suspended ceilings
- Factory settings 10 min and 500 lux
- Range: max. Ø 10 m across, max. Ø 6 m towards, max. Ø 4 m seated



Type	Colour	B.E.G. Part number
PICO-N-M-1C-FC	white	93159
PICO-S-FC (Slave)	white	92700
Accessory (optional)		
IR-Adapter for Smartphones	black	92726
IR-PD-1C	-	92520
IR-PD-1C-E	-	92077

Ceiling-mounted occupancy detectors

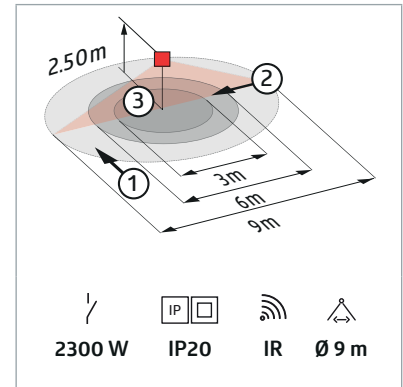
LUXOMAT® PD11-M-1C-FLAT



FC



- Particularly flat occupancy detector without additional power supply
- Visible portion when built into ceiling: height 0.85 mm
- One channel for light switching
- Simple operation with remote control (required)
- Version as Master device
- Extension of the detection area with slave devices possible
- Spring clips for quick and easy installation in suspended ceilings
- Includes blinds and clamp ring for installation in lights
- With accessory also suitable for in-wall sockets
- Factory settings 10 min and 500 lux
- Range: max. Ø 9 m across, max. Ø 6 m towards, max. Ø 3 m seated



Type	Colour	B.E.G. Part number
PD11-M-1C-FLAT-FC	white	92583
PD11-S-FLAT-FC	white	92593
Accessory (optional)		
IR-Adapter for Smartphones	black	92726
IR-PD-1C	-	92520

LUXOMAT® PD4-M-2C-DUO



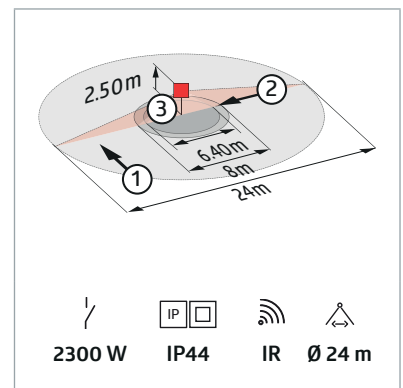
FC



SM



- Occupancy detector for two separate lighting groups
- One common detection area
- Two independent, movable light sensors
- Manual switching via two push-buttons possible
- Version as Master device
- Extension of the detection area with slave devices possible
- Additional functions can be set up using the optional remote control.
- Factory settings 10 min and 500 lux
- Range: max. Ø 24 m across, max. Ø 8 m towards, max. Ø 6.4 m seated



Type	Colour	B.E.G. Part number
PD4-M-2C-DUO-SM (IP44)	white	92158
PD4-M-2C-DUO-FC (IP20)	white	92251
Accessory (optional)		
IR-Adapter for Smartphones	black	92726
IR-PD-DUO	-	92092
IR-PD-Mini	-	92159

Ceiling-mounted occupancy detectors

LUXOMAT® PD4-M-2C



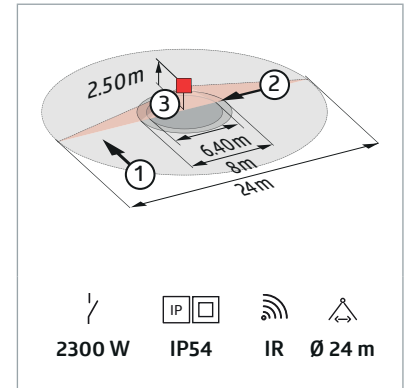
FC



SM



- Occupancy detector with extended detection area
- One channel for light switching
- One additional potential-free (dry) contact for HVAC
- Version as Master device
- Extension of the detection area with slave devices possible
- Manual switching via push-button possible
- Additional functions can be set up using the optional remote control.
- Alarm pulse: the detector triggers only when three movements are detected within 9 seconds
- Factory settings 10 min and 500 lux (15 min HVAC)
- Range: max. Ø 24 m across, max. Ø 8 m towards, max. Ø 6.4 m seated



Type	Colour	B.E.G. Part number
PD4-M-2C-SM (IP54)	white	92140
PD4-M-2C-FC (IP20)	white	92148
Accessory (optional)		
IR-Adapter for Smartphones	black	92726
IR-PD-2C	-	92475
IR-PD-Mini	-	92159

LUXOMAT® PD4-M-3C-TRIO



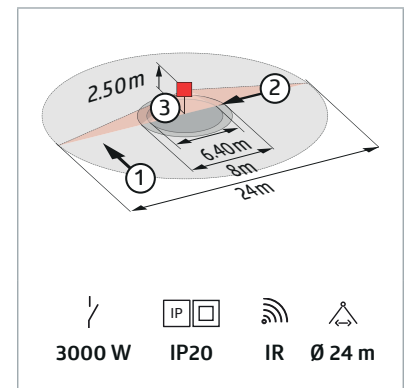
FC



SM



- Occupancy detector particularly for classrooms and training classrooms
- Two contacts, one of them dry, for two groups of light, separate switching possible
- One potential-free contact for blackboard illumination or HVAC
- One common detection area
- Two independent, movable light sensors
- Manual switching possible via two or three pushbuttons
- Extension of the detection area with slave devices possible
- Additional functions can be set up using the optional remote control.
- Relay with tungsten pre-make contact, optimised for LED loads
- Range: max. Ø 24 m across, max. Ø 8 m towards, max. Ø 6.4 m seated



Type	Colour	B.E.G. Part number
PD4-M-3C-TRIO-SM	white	92740
PD4-M-3C-TRIO-FC	white	92745
Accessory (optional)		
IR-Adapter for Smartphones	black	92726
IR-PD4-TRIO-3C	-	92102
Socle IP54 PD4-TRIO-SM	white	92386

Ceiling-mounted occupancy detectors DIM 1-10 V

LUXOMAT® PD2-M-DIM



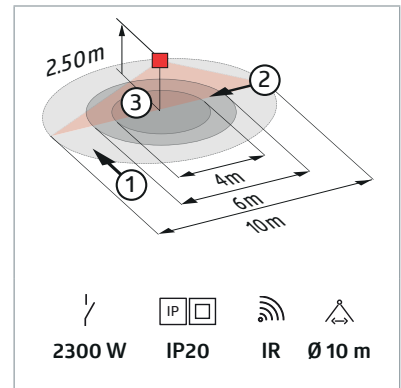
FC



SM



- Occupancy detector for daylight-dependent lighting control
- 1-10 V interface for control of dimmable electronic ballast
- One channel for light dimming and switching
- Orientation light function
- Manual switching and dimming via push button possible
- Extension of the detection area with slave devices possible
- Additional functions can be set up using the optional remote control.
- Relay with tungsten pre-make contact, optimised for LED loads
- Range: max. Ø 10 m across, max. Ø 6 m towards, max. Ø 4 m seated



Type	Colour	B.E.G. Part number
PD2-M-DIM-SM	white	92153
PD2-M-DIM-FC	white	92167
Accessory (optional)		
IR-Adapter for Smartphones	black	92726
IR-PDim	-	92200
IR-PD-DIM-Mini	-	92098

LUXOMAT® PD4-M-DIM



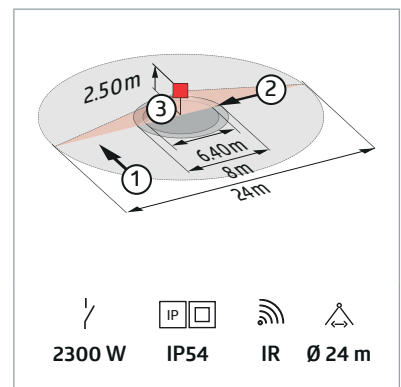
FC



SM



- Occupancy detector with extended detection area, daylight-dependent lighting control
- 1-10 V interface for control of dimmable electronic ballast
- Orientation light function
- One channel for light dimming and switching
- Manual switching and dimming via push button possible
- Extension of the detection area with slave devices possible
- Additional functions can be set up using the optional remote control.
- Relay with tungsten pre-make contact, optimised for LED loads
- Range: max. Ø 24 m across, max. Ø 8 m towards, max. Ø 6.4 m seated



Type	Colour	B.E.G. Part number
PD4-M-DIM-SM (IP54)	white	92147
PD4-M-DIM-FC (IP20)	white	92247
Accessory (optional)		
IR-Adapter for Smartphones	black	92726
IR-PDim	-	92200
IR-PD-DIM-Mini	-	92098

Ceiling-mounted occupancy detectors DIM 1-10 V

LUXOMAT® PD4-M-TRIO-DIM



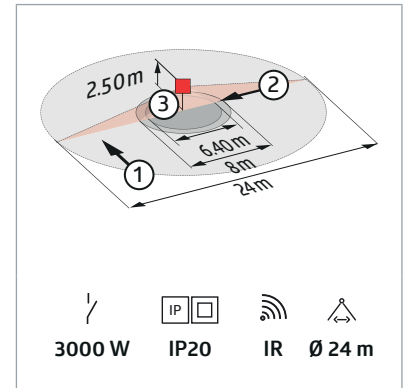
FC



SM



- Occupancy detector for two separate lighting groups and one potential-free light channel, for daylight-dependent lighting control
- One common detection area
- Two independent, movable light sensors
- Manual switching and dimming via push button possible
- Orientation light function
- Relay with tungsten pre-make contact, optimised for LED loads
- Extension of the detection area with slave devices possible
- Two 1-10 V interfaces for control of dimmable electronic ballasts
- Additional functions can be set up using the optional remote control.
- Range: max. Ø 24 m across, max. Ø 8 m towards, max. Ø 6.4 m seated



Type	Colour	B.E.G. Part number
PD4-M-TRIO-DIM-SM	white	92730
PD4-M-TRIO-DIM-FC	white	92735
Accessory (optional)		
IR-Adapter for Smartphones	black	92726
IR-PD4-TRIO	-	92097
Socle IP54 PD4-TRIO-SM	white	92386

4

Occupancy detectors – DALI Compact

Reliable planning and calculation with B.E.G. DALI

DALI is a digital bus system, designed for decentralised control of lighting installations in buildings. The biggest advantage for customers is the freedom to choose suppliers when selecting devices (DALI EB = electronic ballast with DALI interface), as it is an industry standard. Moreover, DALI is very easy to install or integrate into existing infrastructure.

B.E.G. DALI detectors combine several components from the DALI ecosystem into a single case (e.g. sensors, power supplies, controllers, switch controls, relay actuators), which lets you plan with confidence, and reduces process costs such as installation, testing and commissioning to a minimum.

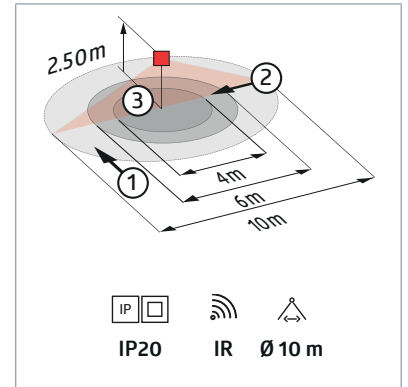


DALI occupancy detectors

LUXOMAT® PD2-M-DALI/DSI



- Occupancy detector for daylight-dependent lighting control
- DALI / DSI interface for control of digital dimmable electronic ballasts as a group
- Manual switching and dimming via push button possible
- Switching between DALI and DSI programming possible with DIP switch and remote control
- Extension of the detection area with slave devices possible
- Additional functions can be set up using the optional remote control.
- Factory settings 10 min and 500 lux
- Orientation light function
- Range: max. Ø 10 m across, max. Ø 6 m towards, max. Ø 4 m seated

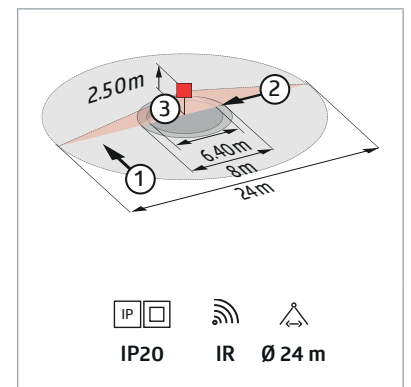


Type	Colour	B.E.G. Part number
PD2-M-DALI/DSI-SM	white	92280
PD2-M-DALI/DSI-FC	white	92258
Accessory (optional)		
IR-Adapter for Smartphones	black	92726
IR-PD-DALI-E	-	92122

LUXOMAT® PD4-M-DALI/DSI



- Occupancy detector with extended detection area, daylight-dependent lighting control
- DALI / DSI interface for control of digital dimmable electronic ballasts as a group
- Switching between DALI and DSI programming possible with DIP switch and remote control
- Extension of the detection area with slave devices possible
- Manual switching and dimming via push button possible
- Additional functions can be set up using the optional remote control.
- Factory settings 10 min and 500 lux
- Orientation light function
- Range: max. Ø 24 m across, max. Ø 8 m towards, max. Ø 6.4 m seated



Type	Colour	B.E.G. Part number
PD4-M-DALI/DSI-SM	white	92279
PD4-M-DALI/DSI-FC	white	92275
Accessory (optional)		
IR-Adapter for Smartphones	black	92726
IR-PD-DALI-E	-	92122

Occupancy detectors

DALI Compact

LUXOMAT® PD4-M-DALI/DSI-C



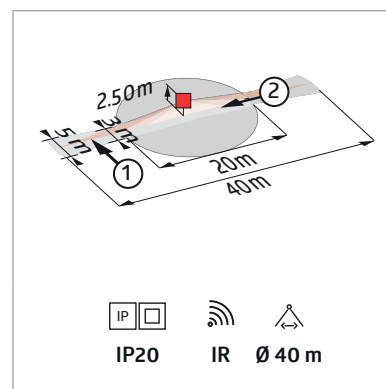
FC



SM



- Occupancy detector designed for corridors, daylight-dependent lighting control
- DALI / DSI interface for control of digital dimmable electronic ballasts as a group
- Switching between DALI and DSI programming possible with DIP switch and remote control
- Extension of the detection area with slave devices possible
- Manual switching and dimming via push button possible
- Additional functions can be set up using the optional remote control.
- Factory settings 10 min and 500 lux
- For the corridor detector, the corridor window in the lens is critical for alignment
- Orientation light function
- Range: max. Ø 40 m across, max. Ø 20 m towards



Type	Colour	B.E.G. Part number
PD4-M-DALI/DSI-C-SM	white	92530
PD4-M-DALI/DSI-C-FC	white	92328
Accessory (optional)		
IR-Adapter for Smartphones	black	92726
IR-PD-DALI-E	-	92122

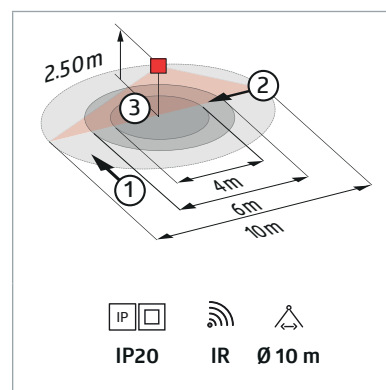
LUXOMAT® PD9-M-DALI/DSI



FC



- Mini occupancy detector for daylight-dependent lighting control
- DALI / DSI interface for control of digital dimmable electronic ballasts as a group
- Switching between DALI and DSI program possible with remote control
- Manual switching and dimming via push button possible
- Orientation light function
- Extension of the detection area with slave devices possible
- Power supply passes through the hole in the ceiling for the detector (34 mm Ø)
- Includes 45mm cover ring and blinds
- Spring clips for quick and easy installation in suspended ceilings and light fittings
- Simple operation with remote control (required)
- Factory settings 10 min and 500 lux
- Range: max. Ø 10 m across, max. Ø 6 m towards, max. Ø 4 m seated



Type	Colour	B.E.G. Part number
PD9-M-DALI/DSI-FC	white	92920
Accessory		
IR-Adapter for Smartphones	black	92726

Occupancy detectors DALI Compact

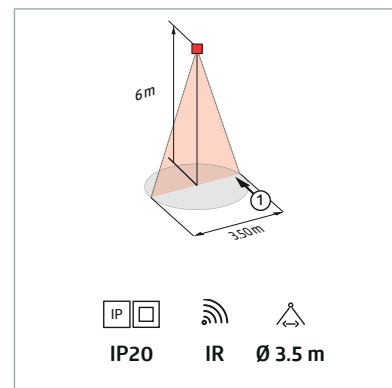
LUXOMAT® PD9-M-DALI/DSI-GH



FC



- Mini occupancy detector for daylight-dependent lighting control, especially for large mounting heights
- DALI / DSI interface for control of digital dimmable electronic ballasts as a group
- Switching between DALI and DSI program possible with remote control
- Orientation light function
- Extension of the detection area with slave devices possible
- Light regulation feasible up to 5 m mounting height
- Power supply passes through the hole in the ceiling for the detector (34 mm Ø)
- Spring clips for quick and easy installation in suspended ceilings and light fittings
- Includes 45mm cover ring and blind
- Range: max. Ø 3.5 m across



Type	Colour	B.E.G. Part number
PD9-M-DALI/DSI-GH-FC	white	92938
Accessory (optional)		
IR-Adapter for Smartphones	black	92726
IR-PD-DALI-E	-	92122

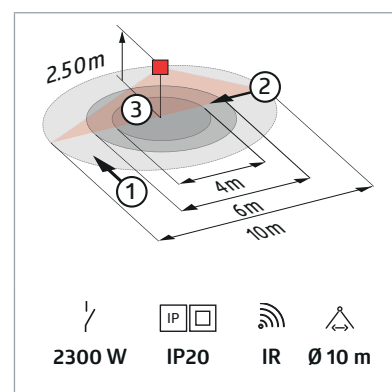
LUXOMAT® PD2-M-DALI/DSI-HVAC



FC



- Occupancy detector for daylight-dependent lighting control
- DALI / DSI interface for control of digital dimmable electronic ballasts as a group
- One additional potential-free switching channel with many functions: cut-off function for electronic ballast switchoff or HVAC function for energy-efficient control of heating, ventilation or air-conditioning units
- Alarm pulse: the detector triggers only when three movements are detected within 9 seconds
- Switching between DALI and DSI programming possible with DIP switch and remote control
- Orientation light function
- Relay with tungsten pre-make contact, optimised for LED loads
- Extension of the detection area with slave devices possible
- Additional functions can be set up using the optional remote control.
- Range: max. Ø 10 m across, max. Ø 6 m towards, max. Ø 4 m seated



Type	Colour	B.E.G. Part number
PD2-M-DALI/DSI-HVAC-FC	white	92698
Accessory (optional)		
IR-Adapter for Smartphones	black	92726
IR-PD-DALI-1C	-	92116

Occupancy detectors DALI Compact

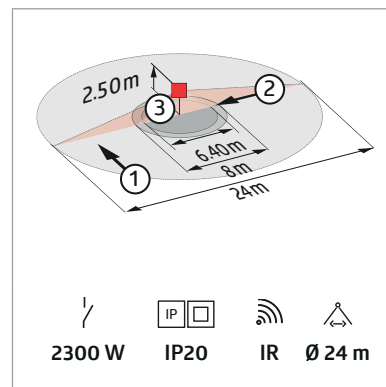
LUXOMAT® PD4-M-DALI/DSI-HVAC



FC



- Occupancy detector with extended detection area, daylight-dependent lighting control
- DALI / DSI interface for control of digital dimmable electronic ballasts as a group
- Switching between DALI and DSI programming possible with DIP switch and remote control
- One additional potential-free switching channel with many functions: cut-off function for electronic ballast switchoff or HVAC function for energy-efficient control of heating, ventilation or air-conditioning units
- Alarm pulse: the detector triggers only when three movements are detected within 9 seconds
- Relay with tungsten pre-make contact, optimised for LED loads
- Additional functions can be set up using the optional remote control.
- Range: max. Ø 24 m across, max. Ø 8 m towards, max. Ø 6.4 m seated



Type	Colour	B.E.G. Part number
PD4-M-DALI-/DSI-HVAC-FC	white	92699
Accessory (optional)		
IR-Adapter for Smartphones	black	92726
IR-PD-DALI-1C	-	92116

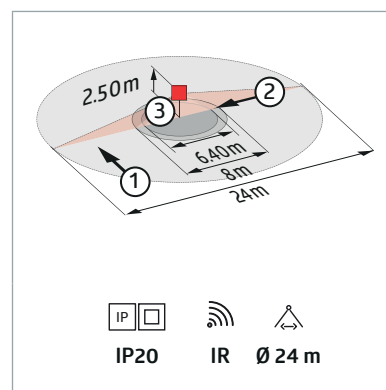
LUXOMAT® PD4-M-DUO-DALI/DSI



FC



- Occupancy detector for two separate lighting groups, for daylight-dependent lighting control
- One common detection area
- Two independent, movable light sensors
- 2 DALI/DSI interfaces for control of digital dimmable electronic ballasts as a group
- Switching between DALI and DSI programming possible with DIP switch and remote control
- Extension of the detection area with slave devices possible
- Additional functions can be set up using the optional remote control.
- Manual switching and dimming via push button possible
- Orientation light function
- Range: max. Ø 24 m across, max. Ø 8 m towards, max. Ø 6.4 m seated



Type	Colour	B.E.G. Part number
PD4-M-DUO-DALI/DSI-FC	white	92276
Accessory (optional)		
IR-Adapter for Smartphones	black	92726
IR-PD-DALI	-	92094

Occupancy detectors DALI Compact

LUXOMAT® PD4-M-TRIO-DALI/DSI



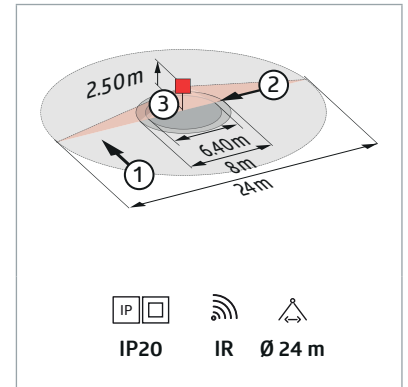
FC



SM



- Occupancy detector for two lighting groups for daylight-dependent lighting regulation
- Control of up to 25 digital dimming electronic ballasts and control modules as a group per DALI output 1 and 2, and up to 10 for DALI output 3
- Two independent, movable light sensors
- One common detection area
- Switching between DALI and DSI program possible with remote control
- Extension of the detection area with slave devices possible
- Manual switching and dimming via push button possible
- Additional functions can be set up using the optional remote control.
- Range: max. Ø 24 m across, max. Ø 8 m towards, max. Ø 6.4 m seated



Type	Colour	B.E.G. Part number
PD4-M-TRIO-DALI/DSI-SM	white	92750
PD4-M-TRIO-DALI/DSI-FC	white	92755
Accessory (optional)		
IR-Adapter for Smartphones	black	92726
IR-PD4-TRIO-DALI	-	92104

LUXOMAT® PD4-M-TRIO-2DALI/DSI-1C



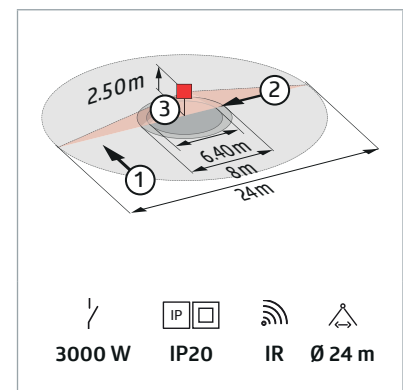
FC



SM



- Occupancy detector for two separate lighting groups, for daylight-dependent lighting control
- One potential-free switching channel for control of equipment (HVAC) or lighting
- Two independent, movable light sensors
- One common detection area
- 2 DALI/DSI interfaces for control of digital dimmable electronic ballasts as a group
- Switching between DALI and DSI program possible with remote control
- Orientation light function
- Relay with tungsten pre-make contact, optimised for LED loads
- Extension of the detection area with slave devices possible
- Manual switching and dimming via push button possible
- Range: max. Ø 24 m across, max. Ø 8 m towards, max. Ø 6.4 m seated



Type	Colour	B.E.G. Part number
PD4-M-TRIO-2DALI/DSI-1C-SM	white	92751
PD4-M-TRIO-2DALI/DSI-1C-FC	white	92756
Accessory (optional)		
IR-Adapter for Smartphones	black	92726
IR-PD4-TRIO-DALI	-	92104

Occupancy detectors

DALI Compact

LUXOMAT® PD4-M-DAA4G



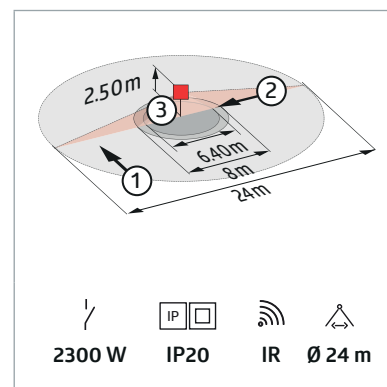
FC



SM



- Flexible DALI Compact solution designed for conference rooms, training rooms and classrooms
- High-sensitivity occupancy detector with the capability to address up to 64 DALI electronic ballasts automatically, with segmented control via 4 groups
- 3 lighting zones: A for main lighting with segmented constant light regulation via 3 DALI groups and offset control, B for lectern or blackboard lighting via separate DALI group, C for lectern or blackboard lighting by integrated relay
- Powerful switching relay for different operating modes, e.g. Cut-off function for DALI ballasts, HVAC, blackboard illumination.
- Detection area can be extended with up to four Slave devices of type PD4-S-DAA4G
- Complete range of functions can only be activated using the B.E.G. IR-Adapter and a compatible Smartphone or Tablet (Android, iOS).
- Range: max. Ø 24 m across, max. Ø 8 m towards, max. Ø 6.4 m seated



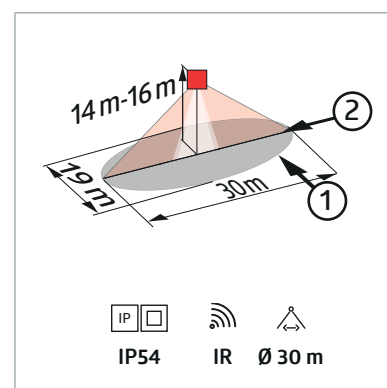
Type	Colour	B.E.G. Part number
PD4-M-DAA4G-SM	white	92743
PD4-M-DAA4G-FC	white	92591
Accessory (optional)		
PD4-S-DAA4G-SM (Slave)	white	92759
PD4-S-DAA4G-FC (Slave)	white	92721
IR-Adapter for Smartphones	black	92726

LUXOMAT® PD4-M-DALI/DSI-GH



SM

- DALI occupancy detector for surface mounting in large mounting heights
- External telescopic light sensor for a mounting height between 5 and 16m (mechanically adjustable) for measuring the light according to the application.
- DALI / DSI interface for control of digital dimmable electronic ballasts as a group
- Extension of the detection area with slave devices possible
- Manual switching and dimming via push button possible
- Additional functions can be set up using the optional remote control.
- Permanent or time-limited orientation lighting
- Range: max. 30 m x 19 m



Type	Colour	B.E.G. Part number
PD4-M-DALI/DSI-GH-SM	white	93015
Accessory (optional)		
Wire basket BSK (Ø 200 x 90 mm)	white	92199
IR-Adapter for Smartphones	black	92726
PD4-S-GH (Slave)	white	92265



Occupancy detectors KNX – LUXOMAT® net

Only with sensors a bus system can react properly

Building automation is becoming ever more popular, as it enables greater energy efficiency and can also offer improved convenience to the people in the building through automated control of connected loads.

For example, blinds can be adjusted automatically according to the angle of the sun, in winter the building can be comfortably warm on first arriving, and not only can lighting be regulated, but lighting scenes can be programmed, so that the right lighting is always provided in different locations within a single building. B.E.G. offers occupancy detectors for various bus systems and applications, e.g. KNX, LON or proprietary systems.

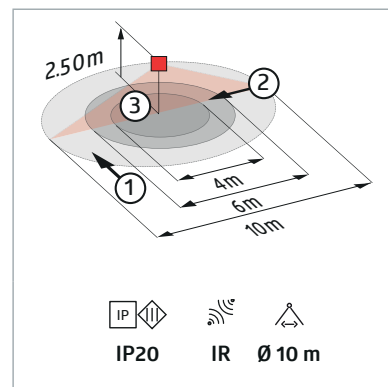


Occupancy detectors KNX

LUXOMAT® net PD2N-KNX



- KNX occupancy detector with integrated KNX bus connector
- **Basic version (-BA):** Full automatic mode, one light output and one HVAC output
- **Standard version (-ST):** remote control-capable with IR-PD-KNX or IR-Adapter for Smartphones, one light output for switching, offset-switching or dimming (full or semi-automatic mode), 3 independent HVAC outputs, short presence, self-adjusting follow-up time, corridor function
- **Deluxe version (-DX):** Standard version (-ST) + presence simulation, two logic modules, temperature and sound sensor, remote control-capable with 5-button remote control (Part no. 93398), Pin code
- Important: for surface mount installation use the flush-mount version and the socket (Part no. 93307)
- Range: max. Ø 10 m across, max. Ø 6 m towards, max. Ø 4 m seated

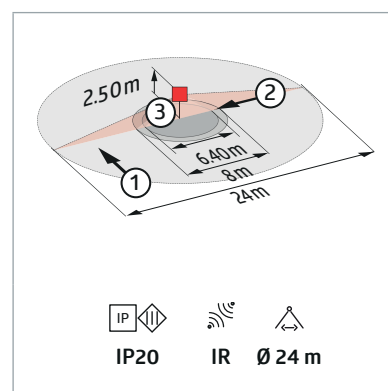


Type	Colour	B.E.G. Part number
PD2N-KNX-BA/-ST/-DX-FC	white	93380/93382/93360
PD2N-KNX-BA/-ST/-DX-FM	white	93381/93383/93361
Accessory (optional)		
IR-Adapter for Smartphones	black	92726
IR-PD-KNX	-	92123
IR-PD-KNX-Mini	-	93398

LUXOMAT® net PD4N-KNX



- KNX occupancy detector with integrated KNX bus connector
- **Standard version (-ST):** remote control-capable with IR-PD-KNX or IR-Adapter for Smartphones, one light output for switching, offset-switching or dimming (full or semi-automatic mode), 3 independent HVAC outputs, short presence, self-adjusting follow-up time, corridor function
- **Deluxe version (-DX):** Standard version (-ST) + presence simulation, two logic modules, temperature and sound sensor, remote control-capable with 5-button remote control (Part no. 93398), Pin code
- Important: for surface mount installation use the flush-mount version and the socket (Part no. 93307)
- Range: max. Ø 24 m across, max. Ø 8 m towards, max. Ø 6.4 m seated



Type	Colour	B.E.G. Part number
PD4N-KNX-ST/-DX-FC	white	93384/93386
PD4N-KNX-ST/-DX-FM	white	93385/93387
Accessory (optional)		
IR-Adapter for Smartphones	black	92726
IR-PD-KNX	-	92123
IR-PD-KNX-Mini	-	93398

Occupancy detectors KNX

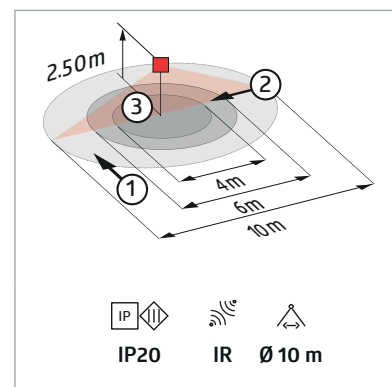
LUXOMAT® net PICO-KNX-DX



FC



- KNX mini occupancy detector with integrated bus connector
- **Deluxe version (-DX):** remote control-capable with IR-PD-KNX or IR-Adapter for Smartphones, one light output for switching, offset-switching or dimming (full or semi-automatic mode), 3 independent HVAC outputs, short presence, self-adjusting follow-up time, corridor function, presence simulation, two logic modules, temperature and sound sensor, remote control-capable with 5-button remote control (Part no. 93398), Pin code
- Range: max. Ø 10 m across, max. Ø 6 m towards, max. Ø 4 m seated



Type	Colour	B.E.G. Part number
PICO-KNX-DX-FC	white	92719
Accessory (optional)		
IR-Adapter for Smartphones	black	92726
IR-PD-KNX	-	92123
IR-PD-KNX-Mini	-	93398

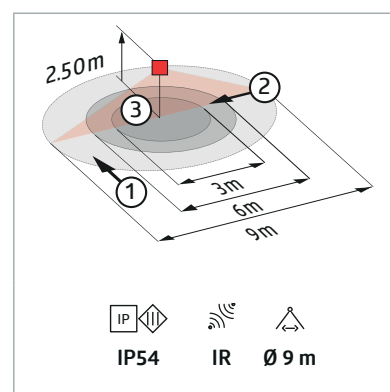
LUXOMAT® net PD11-KNX-FLAT



FC



- Low profile KNX occupancy detector with integrated KNX bus connector
- **Basic version (-BA):** Full automatic mode, one light output and one HVAC output
- **Standard version (-ST):** remote control-capable with IR-PD-KNX or IR-Adapter for Smartphones, one light output for switching, offset-switching or dimming (full or semi-automatic mode), 3 independent HVAC outputs, short presence, self-adjusting follow-up time, corridor function
- **Deluxe version (-DX):** Standard version (-ST) + presence simulation, two logic modules, temperature and sound sensor, remote control-capable with 5-button remote control (Part no. 93398), Pin code
- Range: max. Ø 9 m across, max. Ø 6 m towards, max. Ø 3 m seated



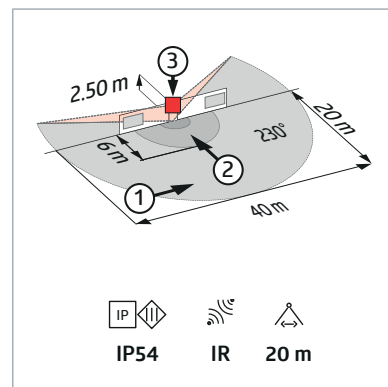
Type	Colour	B.E.G. Part number
PD11-KNX-FLAT-DX-FC	white	93392
PD11-KNX-FLAT-BA-FC	white	93803
PD11-KNX-FLAT-ST-FC	white	93802
Accessory (optional)		
IR-Adapter for Smartphones	black	92726
IR-PD-KNX	-	92123
IR-PD-KNX-Mini	-	93398

Occupancy detectors KNX

LUXOMAT® RC-plus next N 230 KNX-DX



- KNX occupancy detector with integrated KNX bus connector
- **Deluxe version (-DX):** remote control-capable with IR-PD-KNX or IR-Adapter for Smartphones, one light output for switching, offset-switching or dimming (full or semi-automatic mode), 3 independent HVAC outputs, short presence, self-adjusting follow-up time, corridor function, presence simulation, two logic modules, temperature and sound sensor, remote control-capable with 5-button remote control (Part no. 93398), Pin code
- Range: max. 20 m across, max. 6 m towards, max. 4 m anti-creep



Type	Colour	B.E.G. Part number
RC-plus next N 230-KNX-DX	white	93394
RC-plus next N 230-KNX-DX	black	93395
Accessory (optional)		
IR-Adapter for Smartphones	black	92726
IR-PD-KNX	-	92123
IR-PD-KNX-Mini	-	93398
Corner socket RC-plus next	white	97004
Corner socket RC-plus next	black	97024
Inside corner socket RC-plus next	white	97005

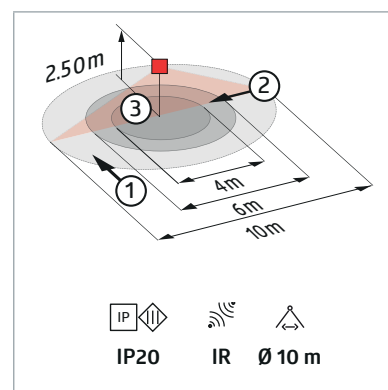
LUXOMAT® net PD9-KNX-DX



FC



- KNX mini occupancy detector with integrated bus connector with 120° or 180° detection range
- **Deluxe version (-DX):** remote control-capable with IR-PD-KNX or IR-Adapter for Smartphones, one light output for switching, offset-switching or dimming (full or semi-automatic mode), 3 independent HVAC outputs, short presence, self-adjusting follow-up time, corridor function, presence simulation, two logic modules, temperature and sound sensor, remote control-capable with 5-button remote control (Part no. 93398), Pin code
- Range: max. Ø 10 m across, max. Ø 6 m towards, max. Ø 4 m smaller movements



Type	Colour	B.E.G. Part number
PD9-KNX-DX-FC Version Deluxe	white	93390
Accessory (optional)		
IR-Adapter for Smartphones	black	92726
IR-PD-KNX	-	92123
IR-PD-KNX-Mini	-	93398
Cover ring PD9 (45 mm)	white, RAL9010	92238
Cover ring PD9 (45 mm)	silver, RAL9006	92237
Cover ring PD9 (45 mm)	anthracite, RAL7021	92235

Photoelectric switches – LUXOMAT®

Switching the light becomes comfortable thanks to the integrated automatic function

Photoelectric switches are the right choice for all those places where lights need to be automatically switched on or off at the end or beginning of the day.

Light sensors measure the ambient light conditions and the device will switch the light on or off depending on the pre-set twilight value. Generally, lights are not needed at certain times of the day. B.E.G. products therefore allow the light to be controlled in relation to the twilight and are thus able to help save energy.

B.E.G. supplies photo electric switches for a variety of purposes to this end: for DIN rails, for installation in units and for wall or mast installation as well as a remote control-capable product.

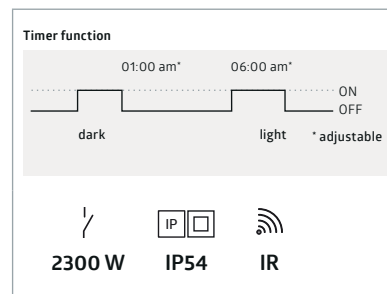


Photoelectric switches

LUXOMAT® CdS-T-SM



- Remote control-capable photoelectric switch with integrated timer
- Energy-saving period may be programmed with the integrated timer by the touch of a button
- Inputting the current light value by the touch of a button
- Infrared remote control included
- Relay with tungsten pre-make contact, optimised for LED loads



Type	Colour	B.E.G. Part number
CdS-T-SM	white	92367
Accessory (optional)		
IR-Adapter for Smartphones	black	92726
IR-CdS-T	-	92368

LUXOMAT® CdS-SM



- Photoelectric switch for automatically switching
- Activation and deactivation delay with self-learning deactivation-light value
- Integrated automatic function (10 Lux / 40 sec. activation / 120 sec. deactivation delay)
- LED adjustment aid (without delay) for adjustment of the switch-on threshold
- Light value and activation/deactivation delay may be set from the outside using the potentiometer
- Double cable inlet from underneath possible
- Wall and mast installation

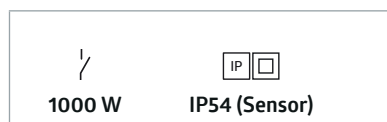


Type	Colour	B.E.G. Part number
CdS-SM	white	92369

LUXOMAT® CdS-R



- Photoelectric switch with switch relay
- For retrofitting in outdoor lights and for use in branch boxes
- Continuously variable switch-on threshold
- The cable between the photo sensor and the electronic unit is approx. 15 cm long and may be extended to a maximum of 1.50 m



Type	Colour	B.E.G. Part number
CdS-R	black	92365

Photoelectric switches

LUXOMAT® CdS-FC



- Remote control-capable photoelectric switch
- Extra flat form – only 6 mm high
- Adjustable deactivation delay with selflearning deactivation and twilight value

2000 W	IP20	IR
--------	------	----

Type	Colour	B.E.G. Part number
CdS-FC	white	92249
Accessory (optional)		
IR-Adapter for Smartphones	black	92726
IR-CdS-FP	-	92396

LUXOMAT® CdS-DALI/DSI



- Remote control-capable photoelectric switch with DALI / DSI interface for control of digital dimmable electronic ballasts as a group
- Relay contact for completely switching off electronic ballasts
- Illumination can be dimmed to a desired brightness value. Actual light value can be read and follow-up time can be set using the optional infrared remote control
- Constant light regulation

2300 W	IP54	IR
--------	------	----

Type	Colour	B.E.G. Part number
CdS-DALI/DSI-SM (IP54)	white	92563
CdS-DALI/DSI-FC (IP20)	white	92562
Accessory (optional)		
IR-Adapter for Smartphones	black	92726
IR-CdS	-	92368

LUXOMAT® TS-DD



- Photoelectric switch for DINrail
- LED adjustment aid (without delay) for adjustment of the switch-on threshold
- Electronic component for installation in branches for comfortable settings from switch cabinets
- Switches off at around 1.3 times the activation value
- Separate light sensor for surface or flush installation (included)

1000 W	IP54 (Sensor)
--------	---------------



Type	Colour	B.E.G. Part number
TS-DD	white	92681

Photoelectric switches

LUXOMAT® CdS-DIM-FC



- Remote control-capable photoelectric switch with ability to dim, for ceiling mounting
- Illumination can be dimmed to a desired brightness value. Actual light value can be read and follow-up time can be set using the optional infrared remote control
- For connection of up to 50 EB
- Constant light regulation
- Dynamic switch-on delay
- Relay with tungsten pre-make contact, optimised for LED loads

	
2300 W	IP20

Type	Colour	B.E.G. Part number
CdS-DIM-FC	white	92589
Accessory (optional)		
IR-Adapter for Smartphones	black	92726
IR-CdS	-	92396

LUXOMAT® MiniClip LR1



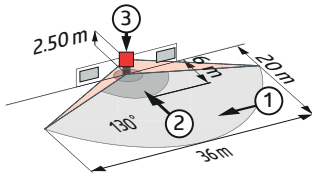
- MiniClip LR1 light sensor with mixed light measurement for constant light control, to be clipped on to the T5 and T8 fluorescent lamps
- Continuous dimming is used to implement constant light control for room lights that adapt to the amount of daylight.
- The light value to be kept constant in the room may be set by turning the knurled sensor cap.


IP20

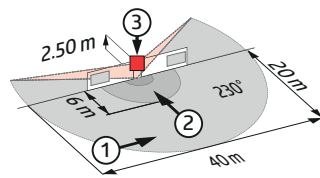
Type	Colour	B.E.G. Part number
MiniClip LR1	white	92320

Range

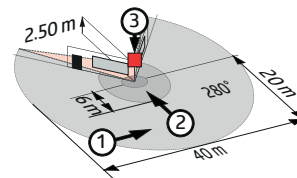
RC-plus next N 130



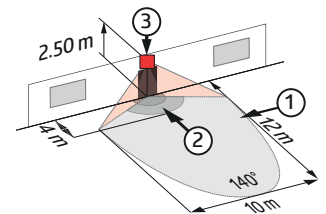
RC-plus next N 230/ FL2N-LED-230



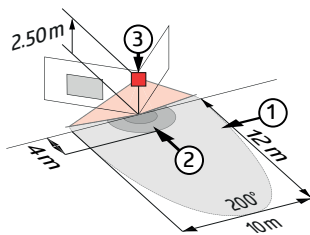
RC-plus next N 280



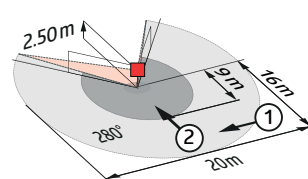
LC-Click-N 140



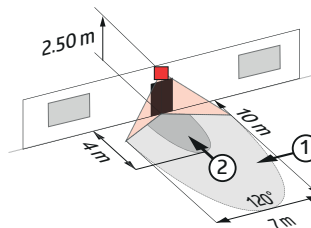
LC-Click-N 200



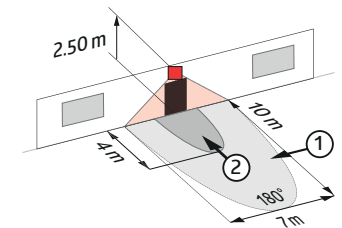
LC-plus 280



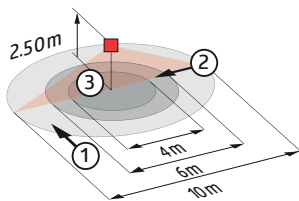
LC-Mini 120



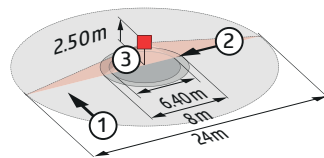
LC-Mini 180



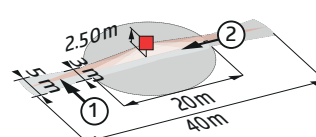
PD2/ PD3/ PD9/ PICO



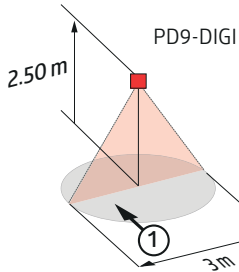
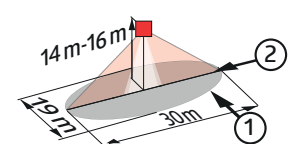
PD4



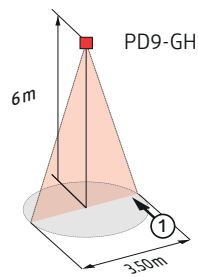
PD4-C



PD4-GH

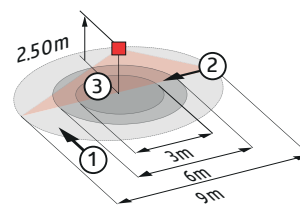


PD9-DIGI

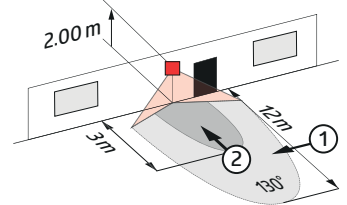


PD9-GH

PD11

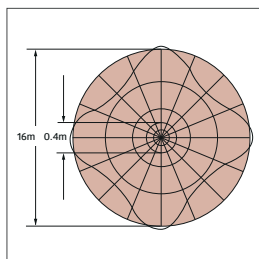
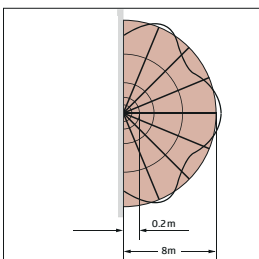


FL3N-LED-130

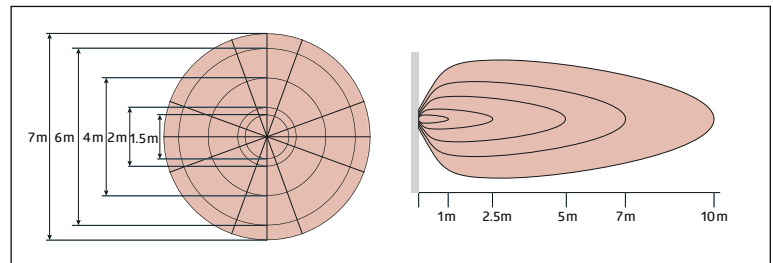


Microwave motion detector

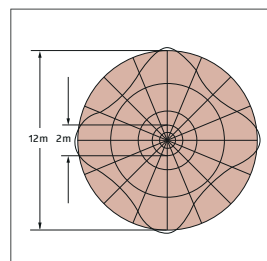
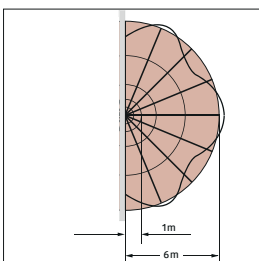
HF-MD1/2



HF-MD3/4



AL8-25-300-LEDN-HF



- ① Walking across
- ② Walking towards
- ③ Seated activity



Lights and floodlights – LUXOMATIC®

Low-current modern illumination

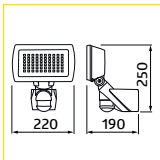
With the right technology, LEDs make it possible to achieve a high light output with low energy consumption. The B.E.G. engineers have developed lights and floodlights to take full advantage of this. In addition to energy-saving features, we put the accent on a high level of functionality twinned with easy installation and contemporary design.

A recent development in the field of motion detection is the use of microwave technology for lighting with motion detectors. The use of this technology, at a frequency of 5.8 GHz, offers temperature-independent motion detection with extremely short response times. As detection is also possible through walls, sensor lights of this type lend themselves especially well to applications with no direct line of sight.

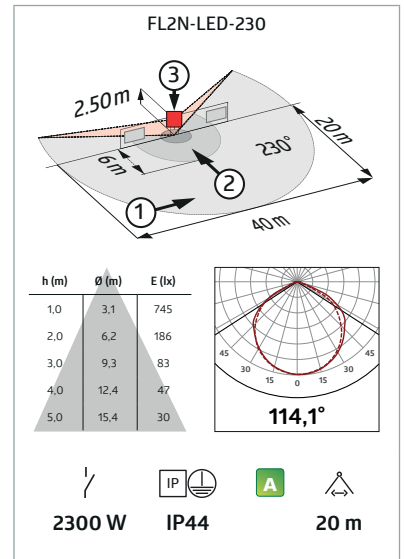
B.E.G. LED lights with microwave technology retain their original design, as the integrated motion detector is not visible. The installation procedure for ceiling and wall lights is just as quick as with ordinary lights.



LUXOMATIC® FL2N-LED 230 and FL2N-LED

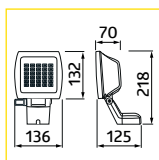


- Pivoting LED floodlight with motion detector for exterior wall mounting
- Floodlight can be pivoted on three axes, direction can be fixed with locking device
- Highly robust cast aluminium case with corrosion-resistant stainless steel screws
- Easy mounting of base with electrical connection, insertion of light, and locking of floodlight
- High energy efficiency and long life using premium-quality LED technology and good thermal management
- Broad light distribution for even illumination of large surfaces
- PIR detector with large detection area and anti-creep zone
- Detector adjustments via potentiometers or by IR remote control
- Additional lights can be switched simultaneously by the one motion detector

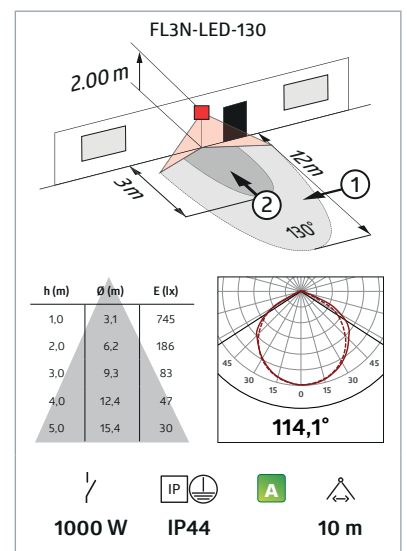


Type	Colour	B.E.G. Part number
FL2N-LED-230	white	92627
FL2N-LED-230	black	92626
FL2N-LED (without motion detector)	white	92599
FL2N-LED (without motion detector)	black	92598
Accessory (optional)		
IR-Adapter for Smartphones	black	92726
IR-RC	-	92000

LUXOMATIC® FL3N-LED 130 and FL3N-LED



- Pivoting LED floodlight with motion detector for exterior wall mounting
- Direction can be fixed with locking device
- Highly robust cast aluminium case with corrosion-resistant stainless steel screws
- Easy mounting of base with electrical connection, insertion of light, and locking of floodlight
- High energy efficiency and long life using premium-quality LED technology and good thermal management
- Broad light distribution for even illumination of large surfaces
- Settings via potentiometers
- Additional lights can be switched simultaneously by the one motion detector
- Integrated motion detector with narrow detection area for paths and staircases



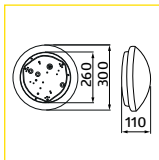
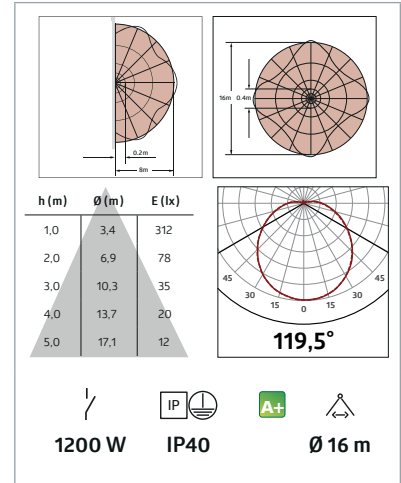
Type	Colour	B.E.G. Part number
FL3N-LED-130	white	92629
FL3N-LED-130	black	92628
FL3N-LED (without motion detector)	white	92703
FL3N-LED (without motion detector)	black	92702

Lights

LUXOMATIC® L8-LEDN/-HF



- Round LED light for wall or ceiling mounting
- Good energy efficiency and long life using premium-quality LED technology
- Broad light distribution using diffused light covers

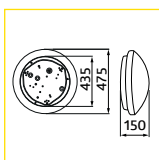
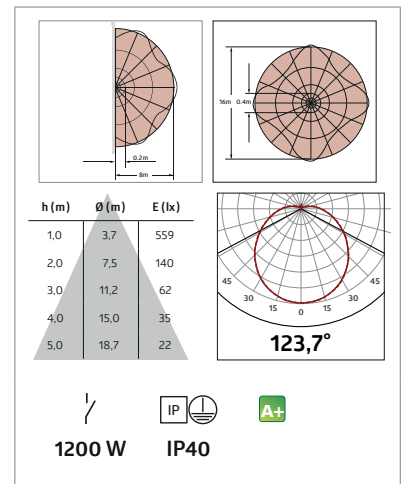


Type	Colour	B.E.G. Part number
L8-LEDN (neutral white)	white	94456
L8-LEDN-HF (neutral white)	white	94455

LUXOMATIC® L9-LEDN/-HF and L9-LEDW-HF

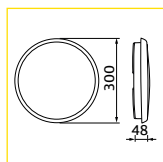


- Round LED light for wall or ceiling mounting
- Good energy efficiency and long life using premium-quality LED technology
- Broad light distribution using diffused light covers

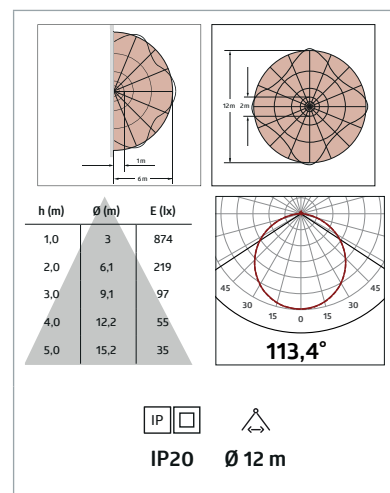


Type	Colour	B.E.G. Part number
L9-LEDN (neutral white)	white	94458
L9-LEDN-HF (neutral white)	white	94457
L9-LEDW-HF (warm white)	white	94467

LUXOMATIC® AL8-25-300-LEDN-HF

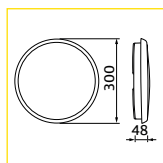


- Extremely flat round LED light for wall or ceiling mounting
- Case made of robust polycarbonate with high fire protection rating (V0).
- Integrated (HF) radar sensor, not externally visible, wide detection range
- HF technology: 5.8 GHz – reacts to the smallest motion, independently of temperature
- DIP switches to set follow-up time, switch-on threshold and sensor sensitivity
- Energy efficient light with long service life >40,000 hours
- Broad light distribution using diffused light covers
- Simple mounting with separate mounting bracket
- 3-section protection ring, approx. 2 cm protrusion, to protect against vandalism, available as accessory

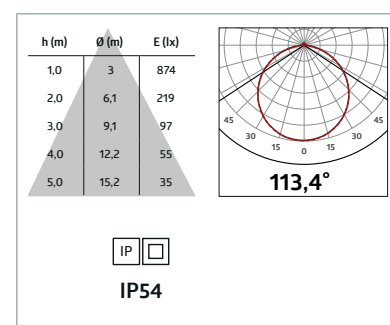


Type	Colour	B.E.G. Part number
AL8-25-300-LEDN-HF	white	93631
Accessory (optional)		
Protection ring AL8	white	93014

LUXOMATIC® AL8-25-300-LED-3C



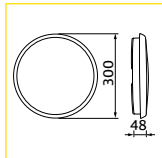
- Extremely flat round LED light for wall or ceiling mounting
- Robust and water-resistant plastic case (polycarbonate) with high fire protection rating
- Three colours in one light, switchable selection between warm, neutral or daylight white illumination
- Energy efficient light with long service life >40,000 hours
- Broad light distribution using diffused light covers
- Simple mounting with separate mounting bracket
- 3-section protection ring, approx. 2 cm protrusion, to protect against vandalism, available as accessory



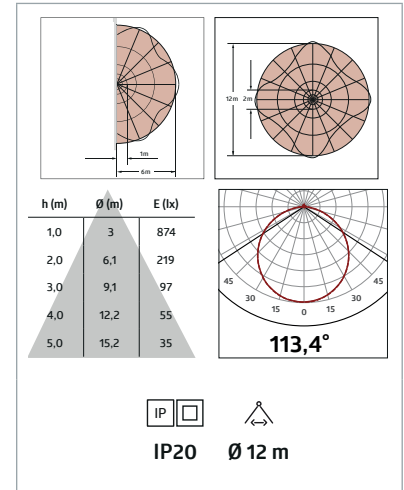
Type	Colour	B.E.G. Part number
AL8-25-300-LED-3C	white	93621
Accessory (optional)		
Protection ring AL8	white	93014

Lights

LUXOMATIC® AL8-25-300-LED-3C-HF

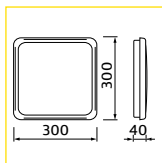


- Surface height of only 48 mm, flat diffuser for modern design
- Case made of robust polycarbonate with high fire protection rating (V0).
- 3 colours in one light, switchable selection between warm white, neutral white and daylight white.
- Integrated (HF) microwave detector, not externally visible, wide detection range
- DIP switches to set follow-up time, switch-on threshold and sensor sensitivity
- Service life over 40000 hours
- Simple mounting with separate mounting bracket
- Protection ring against vandalism available as accessory

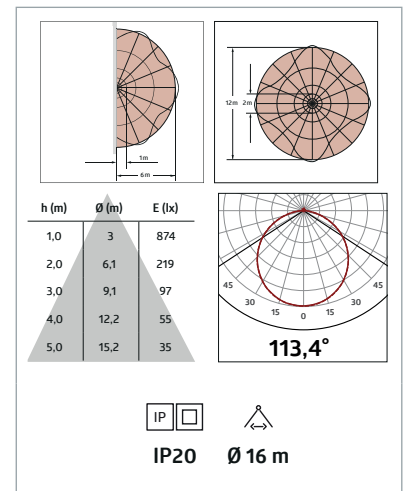


Type	Colour	B.E.G. Part number
AL8-25-300-LED-3C-HF	white	93141
Accessory (optional)		
Protection ring AL8	white	93014

LUXOMATIC® AL12-25-300-LED-3C-HF



- Extremely flat LED light for wall or ceiling mounting
- Case made of robust polycarbonate with high fire protection rating (V0).
- Integrated (HF) radar sensor, not externally visible, wide detection range
- Three colours in one light, switchable selection between warm, neutral or daylight white illumination
- DIP switches to set follow-up time, switch-on threshold and sensor sensitivity
- Energy efficient light with long service life >40,000 hours
- Broad light distribution using diffused light covers
- Simple mounting with separate mounting bracket

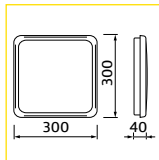
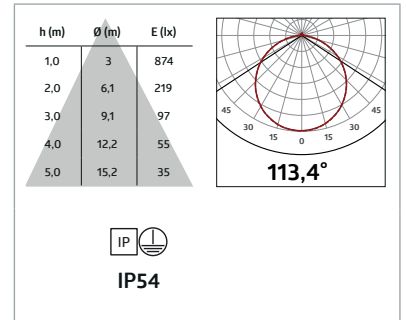


Type	Colour	B.E.G. Part number
AL12-25-300-LED-3C-HF	white	93145

LUXOMATIC® AL12-25-300-LED-3C



- Extremely flat LED light for wall or ceiling mounting
- Robust and water-resistant plastic case (polycarbonate) with high fire protection rating
- Three colours in one light, switchable selection between warm, neutral or daylight white illumination
- Energy efficient light with long service life >40,000 hours
- Broad light distribution using diffused light covers
- Every colour temperature is externally dimmable
- Simple mounting with separate mounting bracket



Type	Colour	B.E.G. Part number
AL12-25-300-LED-3C	white	93615

Overview of range in relation to mounting height

Overview of range in relation to mounting height – Ceiling-mounted motion detectors

Motion detector PD3N and PD9

Range (circular detection) T=18°C			
Mounting height	Seated activity	Walking across	Walking towards
2.00 m	∅=3.20 m	∅=8.00 m	∅=5.00 m
2.50 m	∅=4.00 m	∅=10.00 m	∅=6.00 m
3.00 m	∅=4.80 m	∅=12.00 m	∅=7.40 m
3.50 m	-	∅=14.00 m	∅=8.60 m
4.00 m	-	∅=16.00 m	∅=9.60 m
4.50 m	-	∅=18.00 m	∅=10.80 m
5.00 m	-	∅=20.00 m	∅=12.00 m

Motion detector PD4N

Range (circular detection) T=18°C			
Mounting height	Seated activity	Walking across	Walking towards
2.00 m	∅=3.20 m	∅=17.00 m	∅=6.40 m
2.50 m	∅=6.40 m	∅=24.00 m	∅=8.00 m
3.00 m	∅=7.60 m	∅=29.00 m	∅=9.60 m
3.50 m	∅=9.00 m	∅=34.00 m	∅=11.00 m
4.00 m	-	∅=39.00 m	∅=13.60 m
4.50 m	-	∅=44.00 m	∅=14.40 m
5.00 m	-	∅=48.00 m	∅=16.00 m

Motion detector PD9-GH

Range (circular detection) T=18°C	
Mounting height	Walking across
5.00 m	∅=3.00 m
6.00 m	∅=3.50 m
7.00 m	∅=4.20 m
8.00 m	∅=4.80 m
9.00 m	∅=6.00 m
10.00 m	∅=6.00 m

Overview of range in relation to mounting height – Ceiling-mounted occupancy detectors

Occupancy detector PD2 and PD9

Range (circular detection) T=18°C			
Mounting height	Seated activity	Walking across	Walking towards
2.00 m	∅=3.20 m	∅=8.00 m	∅=5.00 m
2.50 m	∅=4.00 m	∅=10.00 m	∅=6.00 m
3.00 m	∅=4.80 m	∅=12.00 m	∅=7.40 m
3.50 m	-	∅=14.00 m	∅=8.60 m
4.00 m	-	∅=16.00 m	∅=9.60 m
4.50 m	-	∅=18.00 m	∅=10.80 m
5.00 m	-	∅=20.00 m	∅=12.00 m

Occupancy detector PD4

Range (circular detection) T=18°C			
Mounting height	Seated activity	Walking across	Walking towards
2.00 m	∅=5.20 m	∅=17.00 m	∅=6.40 m
2.50 m	∅=6.40 m	∅=24.00 m	∅=8.00 m
3.00 m	∅=7.60 m	∅=29.00 m	∅=9.60 m
3.50 m	∅=9.00 m	∅=34.00 m	∅=11.00 m
4.00 m	-	∅=39.00 m	∅=13.60 m
4.50 m	-	∅=44.00 m	∅=14.40 m
5.00 m	-	∅=48.00 m	∅=16.00 m
10.00 m	-	∅=48.00 m	∅=16.00 m

Occupancy detector PD11

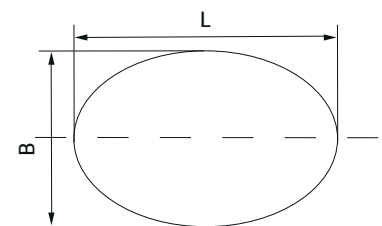
Range (circular detection) T=18°C			
Mounting height	Seated activity	Walking across	Walking towards
2.00 m	∅=2.40 m	∅=7.20 m	∅=4.80 m
2.50 m	∅=3.00 m	∅=9.00 m	∅=6.00 m
3.00 m	∅=3.60 m	∅=10.80 m	∅=7.20 m
3.50 m	∅=4.20 m	∅=12.60 m	∅=8.40 m
4.00 m	∅=4.80 m	∅=14.40 m	∅=9.60 m
4.50 m	∅=5.40 m	∅=16.20 m	∅=10.80 m
5.00 m	∅=6.00 m	∅=18.00 m	∅=12.00 m

Occupancy detector PD9-GH

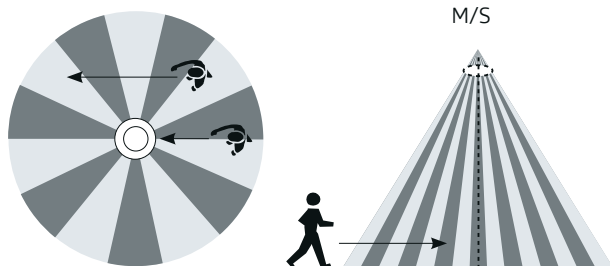
Range (circular detection) T=18°C	
Mounting height	Walking across
5.00 m	∅=3.00 m
6.00 m	∅=3.50 m
7.00 m	∅=4.20 m
8.00 m	∅=4.80 m
9.00 m	∅=6.00 m
10.00 m	∅=6.00 m

Occupancy detector PD4-M-1C-GH

Range (oval detection) T=17°C		
Mounting height	in longitudinal axis (L)	90° to longitudinal axis (B)
5.00 m	∅=26.00 m	∅=18.00 m
6.00 m	∅=26.00 m	∅=18.00 m
7.00 m	∅=28.00 m	∅=19.00 m
8.00 m	∅=28.00 m	∅=19.00 m
9.00 - 16.00 m	∅=30.00 m	∅=19.00 m



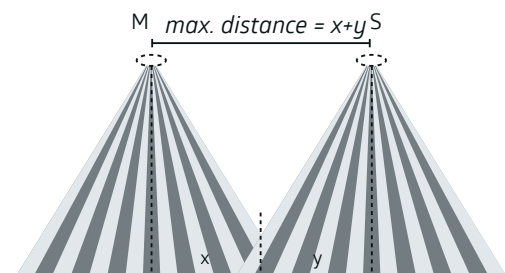
Detector positioning



Maximum motion detection is achieved by walking across the detection area, not by walking towards it.

This should be borne in mind when it comes to corridors.

Detector distance

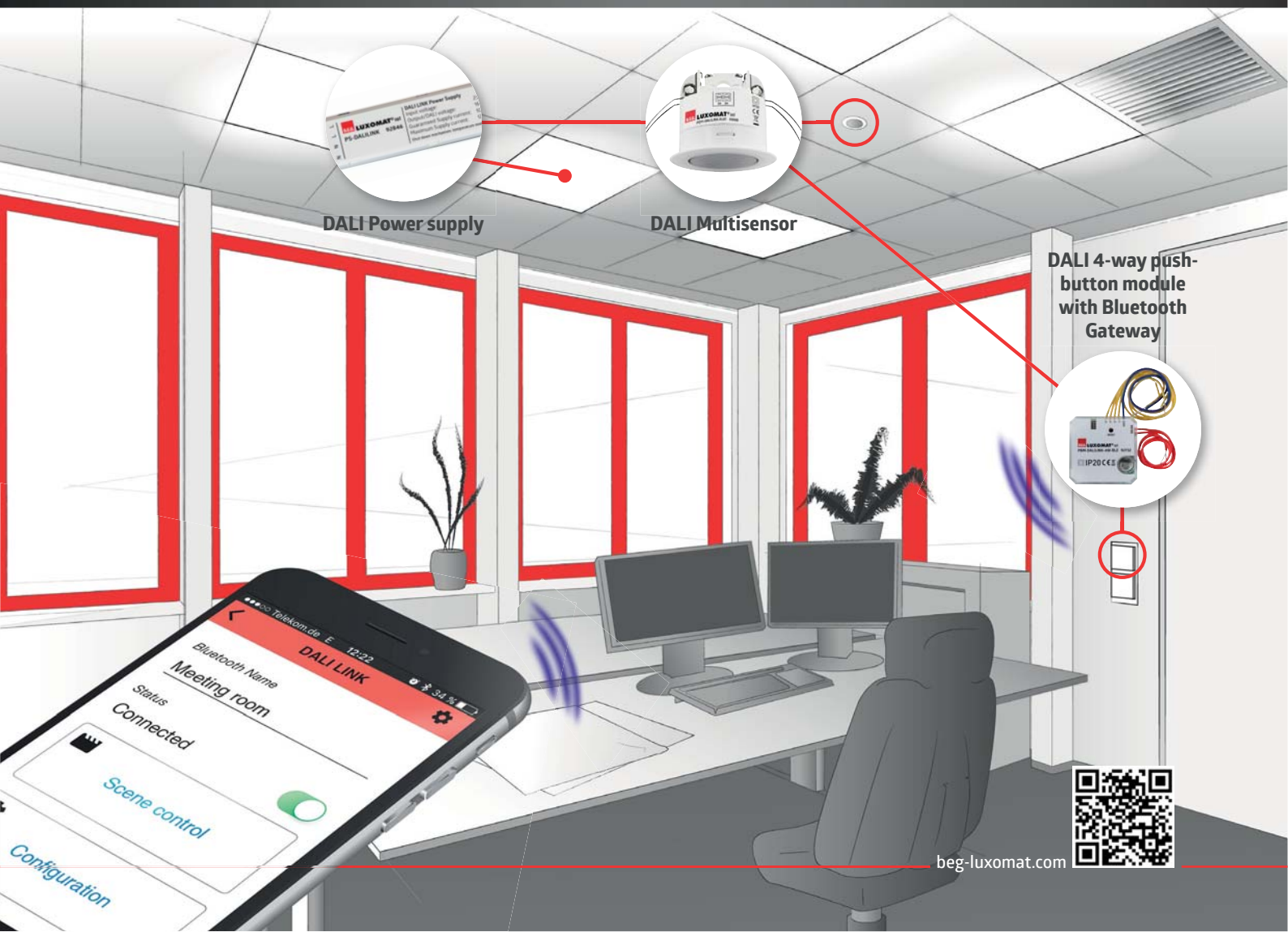


In order to eliminate potential "dead zones", detection areas may overlap.

B.E.G. DALI LINK – Starterset

Intelligent light!

- DALI LINK single room solution
- Starterset – all in one box
- Addressable multi-master Lighting Control System
- Supports DALI luminaires
- Ideal for retrofitting
- Super flat multisensor
- Simple, intuitive operation
- Free Bluetooth app with 2 functions:
 - Scene control for end customer
 - Commissioning tool for installers





■ Subsidiaries and commercial agencies

*B.E.G. operates a policy of continuous product improvement and development.
And reserve the right to change the product specifications of any time. Errors excepted.*