

PRO-FIT LINER

PFGFR | PFGDT

Ensuring the perfect fit.



DESCRIPTION

ALPS® Pro-Fit is a prosthetic liner made with OptiGel that ensures excellent conformability to the residual limb. At the same time, its new and improved distal end encapsulation allows the user to experience a highly secure fit, resulting in enhanced control, comfort, and safety.

PART #	SUSPENSION
PFGDT	LOCKING
PFGFR	CUSHION

Recommended for K2-K4 activity levels.



TOP FEATURES & BENEFITS

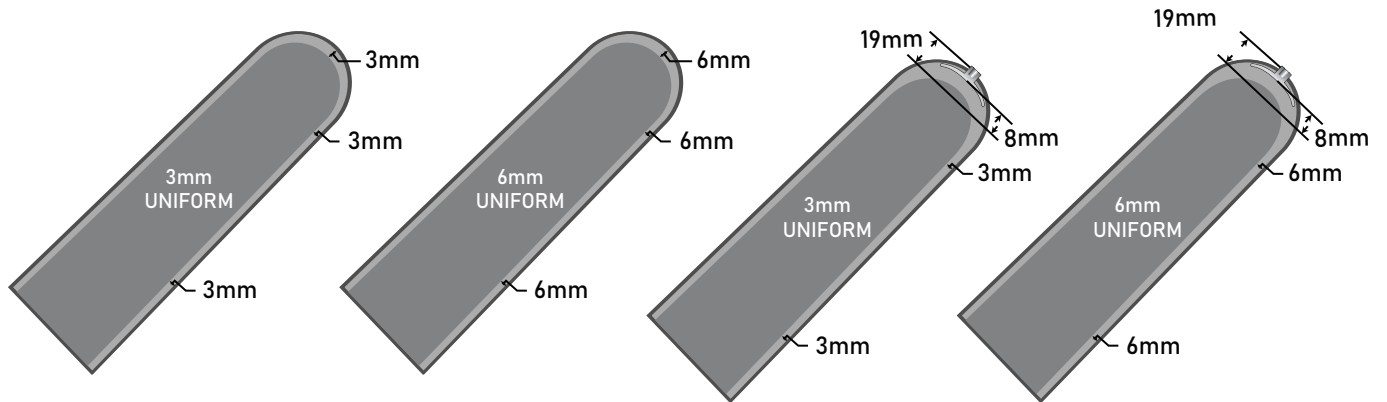
PREMIUM GREY FABRIC

OPTIGEL

CUSHION & LOCKING

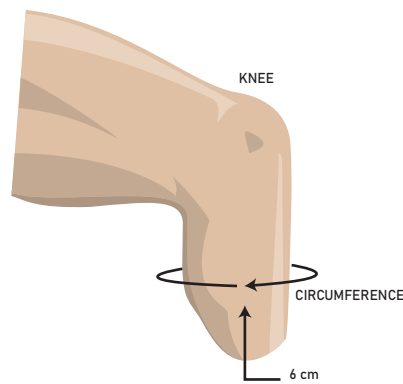
- ✓ New encapsulation allows the liner to fit better on the residual limb.
- ✓ The superior conformability of the OptiGel allows for safe suspension of the prosthetic leg.
- ✓ Improves the control of the prosthetic leg and reduces pistoning, while still providing superior protection of the residual limb.

CROSS SECTION DIAGRAM



HOW TO SIZE

Measurements taken 6cm from the distal end



SIZING CHART

MEASURED SIZE (CM)	LOCKING 3MM OR 6MM UNIFORM	CUSHION 3MM OR 6MM UNIFORM
20-23 cm	PFGDT20-(3 or 6)	PFGFR20-(3 or 6)
24-25 cm	PFGDT24-(3 or 6)	PFGFR24-(3 or 6)
26-27 cm	PFGDT26-(3 or 6)	PFGFR26-(3 or 6)
28-31 cm	PFGDT28-(3 or 6)	PFGFR28-(3 or 6)
32-37 cm	PFGDT32-(3 or 6)	PFGFR32-(3 or 6)
38-43 cm	PFGDT38-(3 or 6)	PFGFR38-(3 or 6)
44-53 cm	PFGDT44-(3 or 6)	PFGFR44-(3 or 6)

SOFTSIL LINER

SSGSL | SSGSC

Allowing maximum control without compromising comfort.



DESCRIPTION

ALPS® SoftSil Liner delivers the same medical-grade qualities as our popular Silicone Pro but with enhanced features. Made with OptiSil, our new, soft, white silicone, and grey knitted fabric, the liner effectively offers a high degree of control and excellent freedom of movement without sacrificing a comfortable suspension in the user's prostheses.

PART #	SUSPENSION
SSGSL	LOCKING
SSGSC	CUSHION

Recommended for K2-K4 activity levels.



TOP FEATURES & BENEFITS

PREMIUM GREY FABRIC

Medical grade, white silicone with 1/5 the friction of regular silicone offers superior comfort

Increased reduction of vertical stretch provides users with greater control and freedom of movement

Reduced pistoning

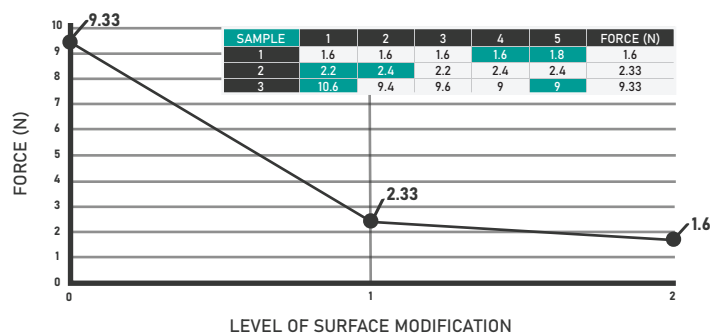
Skin friendly and thin

Lightweight & cooling

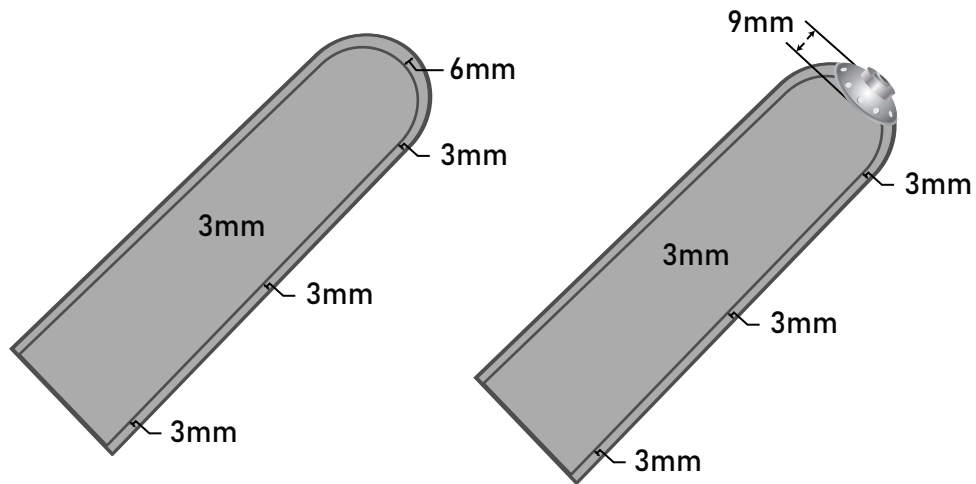
OPTISIL

CUSHION & LOCKING

SILICONE FRICTION TESTING

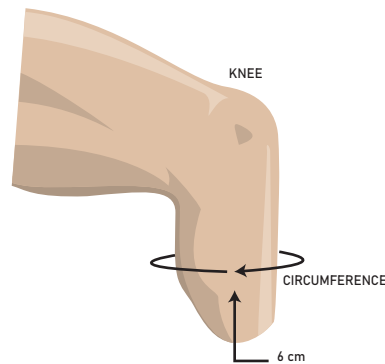


CROSS SECTION DIAGRAM



HOW TO SIZE

Measurements taken 6cm from the distal end



SIZING CHART

MEASURED SIZE (CM)	LOCKING 3.0 MM UNIFORM	CUSHION 3.0 MM UNIFORM
20-22 cm	SSGSL-20	SSGSC-20
22-24 cm	SSGSL-22	SSGSC-22
24-26 cm	SSGSL-24	SSGSC-24
26-28 cm	SSGSL-26	SSGSC-26
28-30 cm	SSGSL-28	SSGSC-28
30-32 cm	SSGSL-30	SSGSC-30
32-35 cm	SSGSL-32	SSGSC-32
35-38 cm	SSGSL-35	SSGSC-35
38-41 cm	SSGSL-38	SSGSC-38
41-44 cm	SSGSL-41	SSGSC-41
44-47 cm	SSGSL-44	SSGSC-44